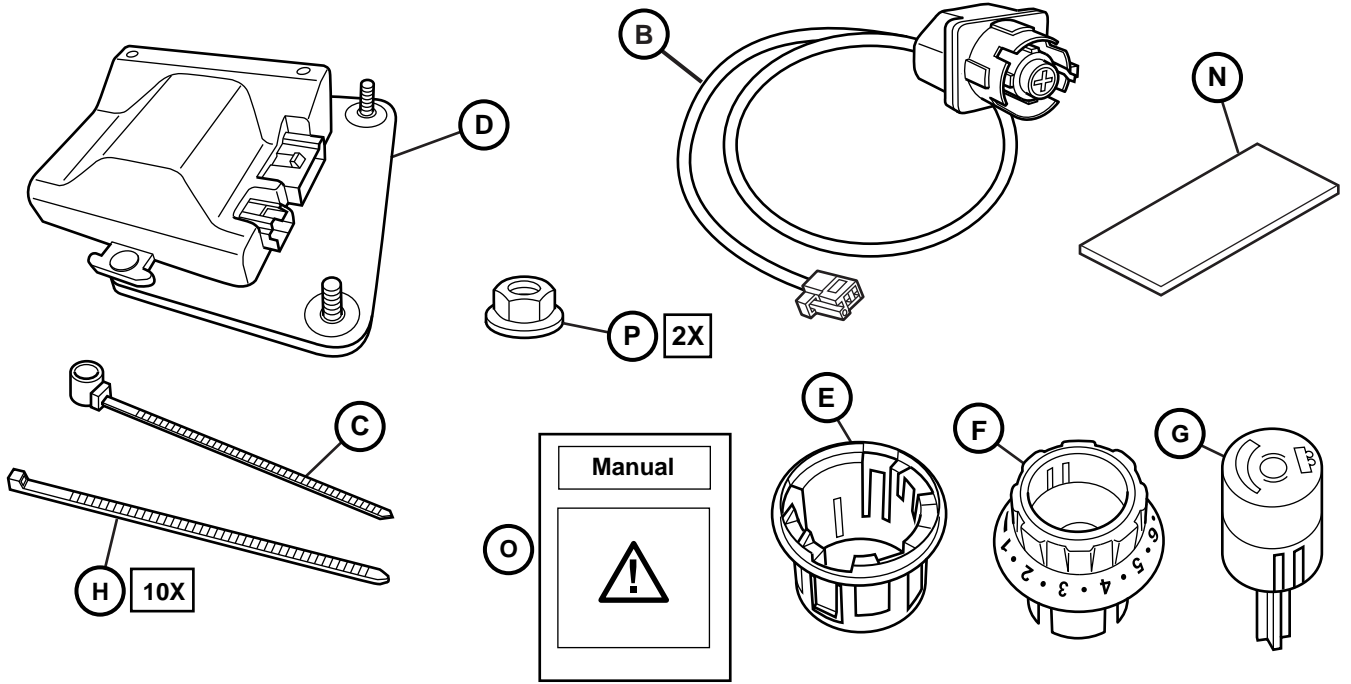


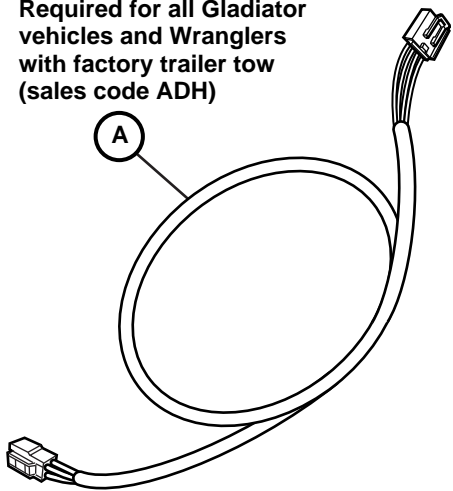


TRAILER BRAKE JEEP WRANGLER/GLADIATOR

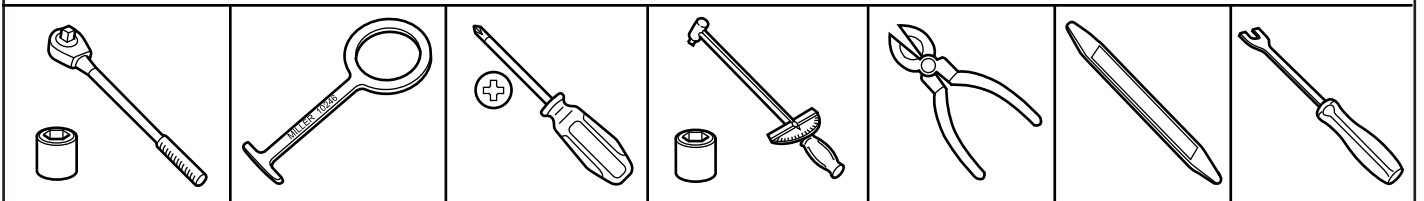
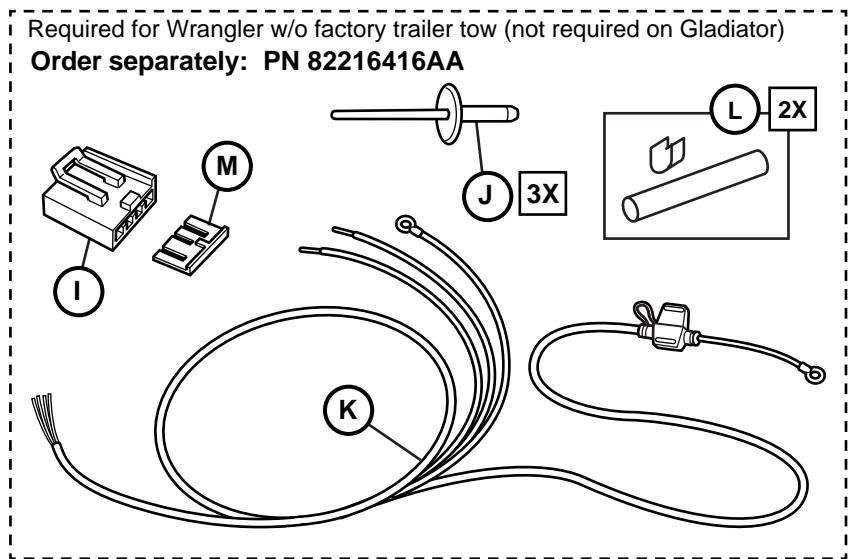
www.mopar.com

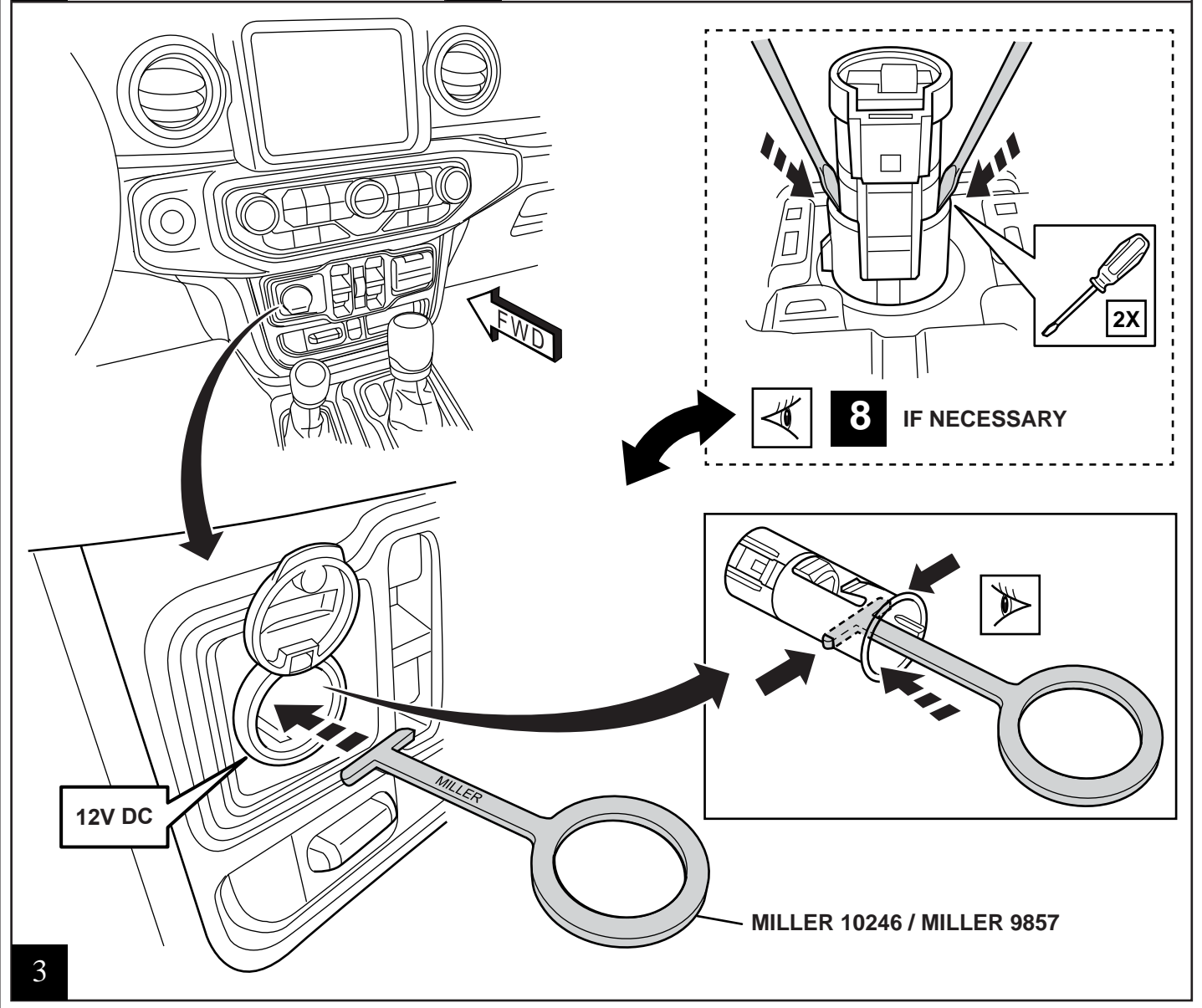
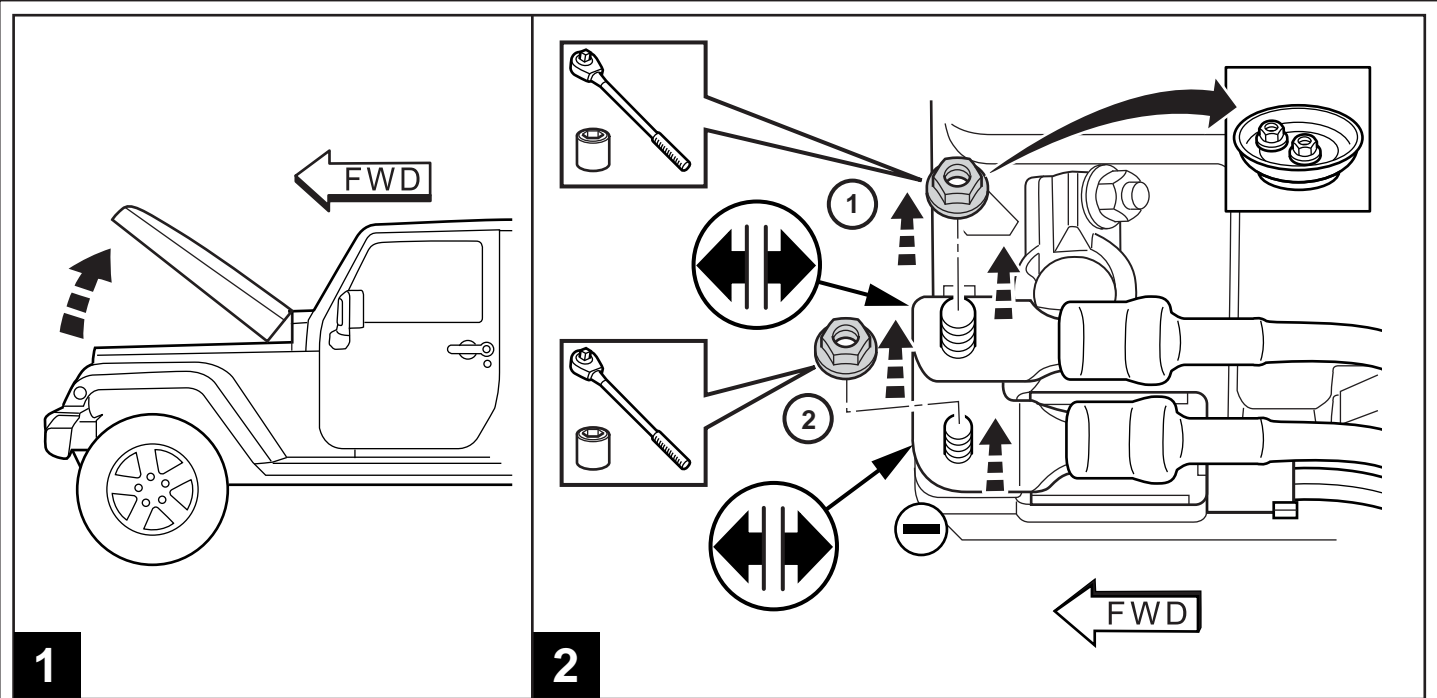


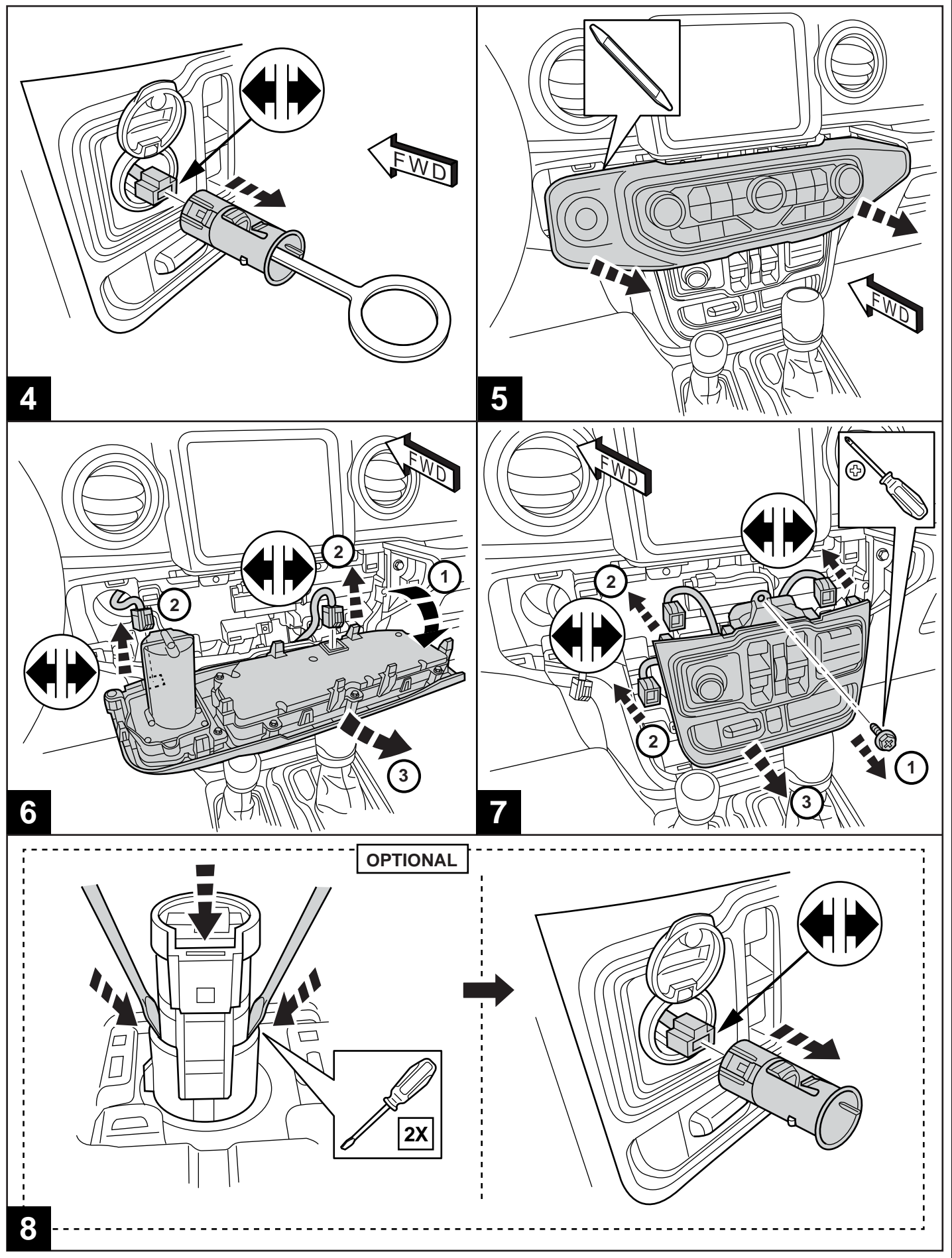
Required for all Gladiator vehicles and Wranglers with factory trailer tow (sales code ADH)



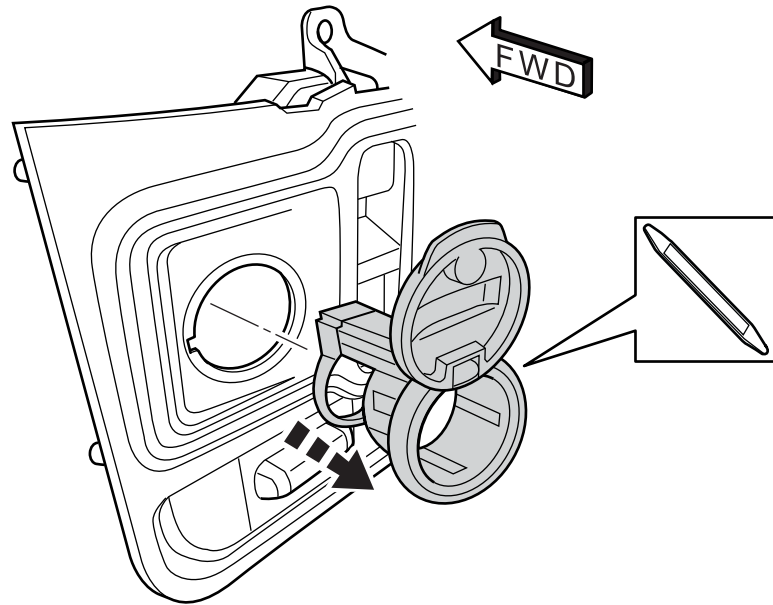
Required for Wrangler w/o factory trailer tow (not required on Gladiator)
Order separately: PN 82216416AA



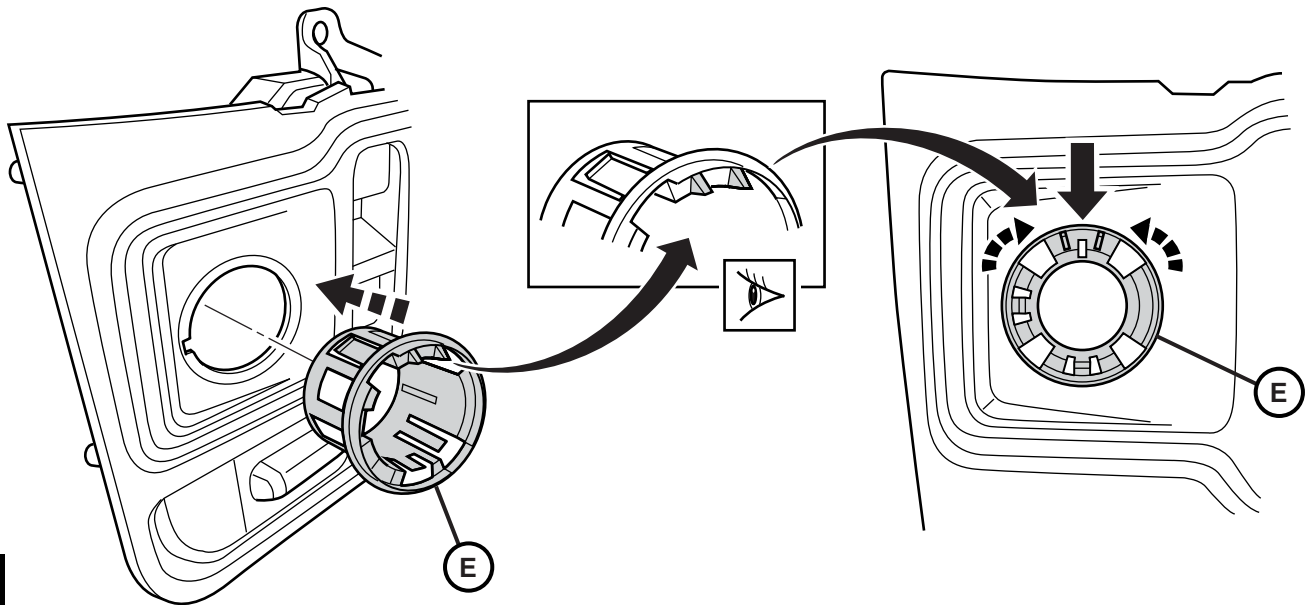




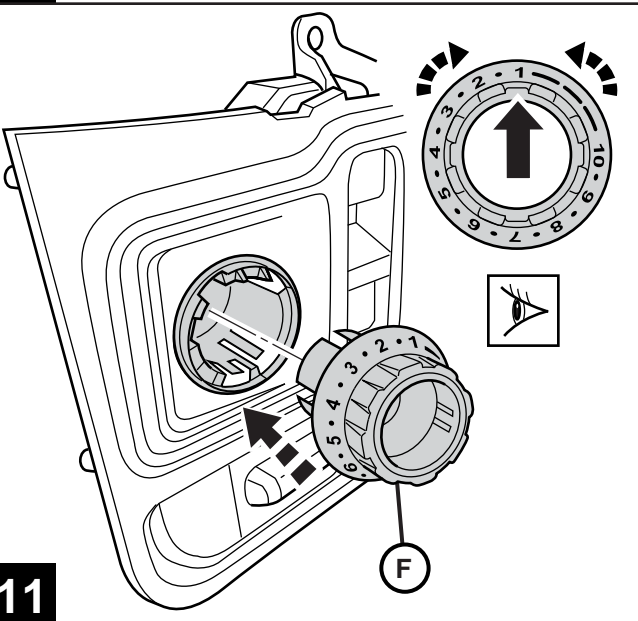
9



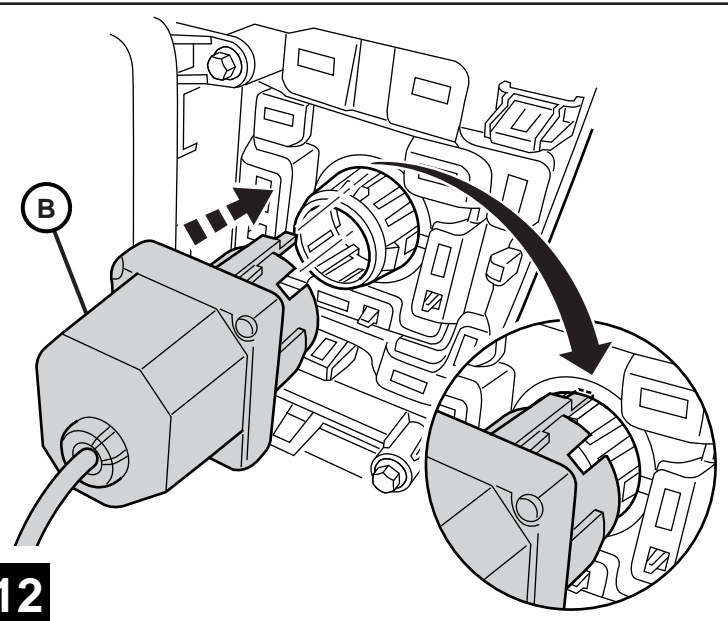
10

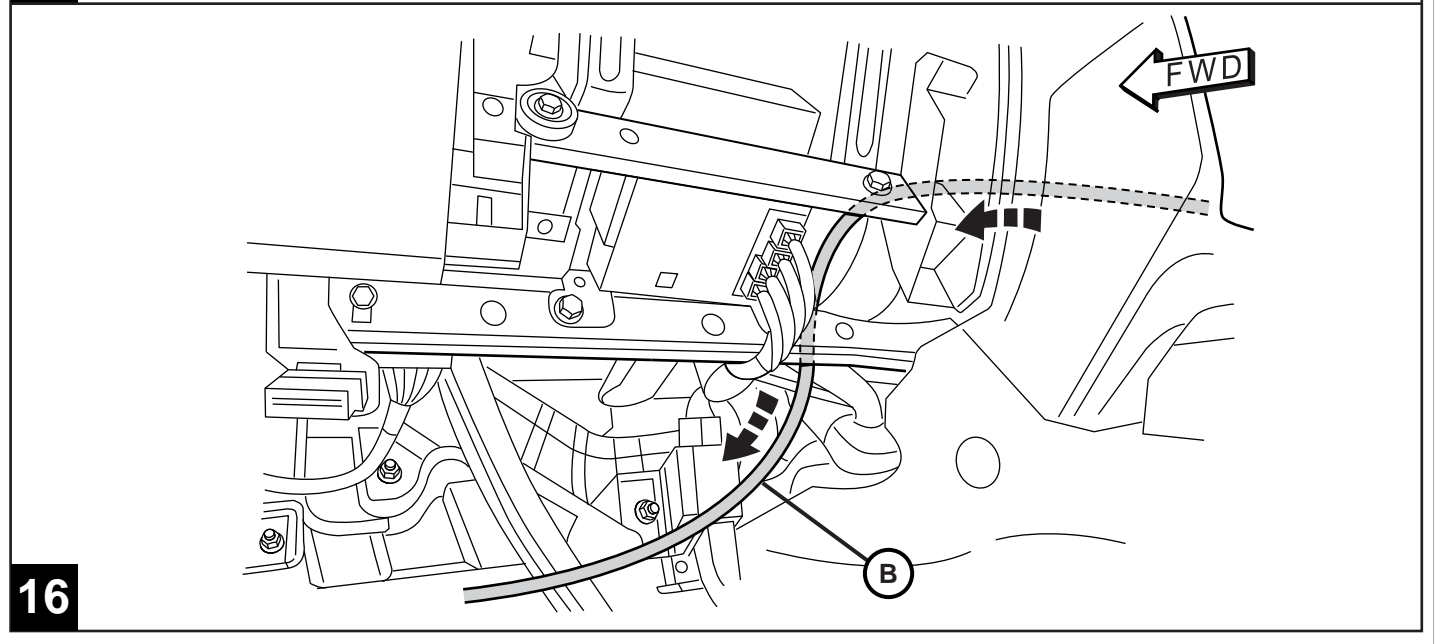
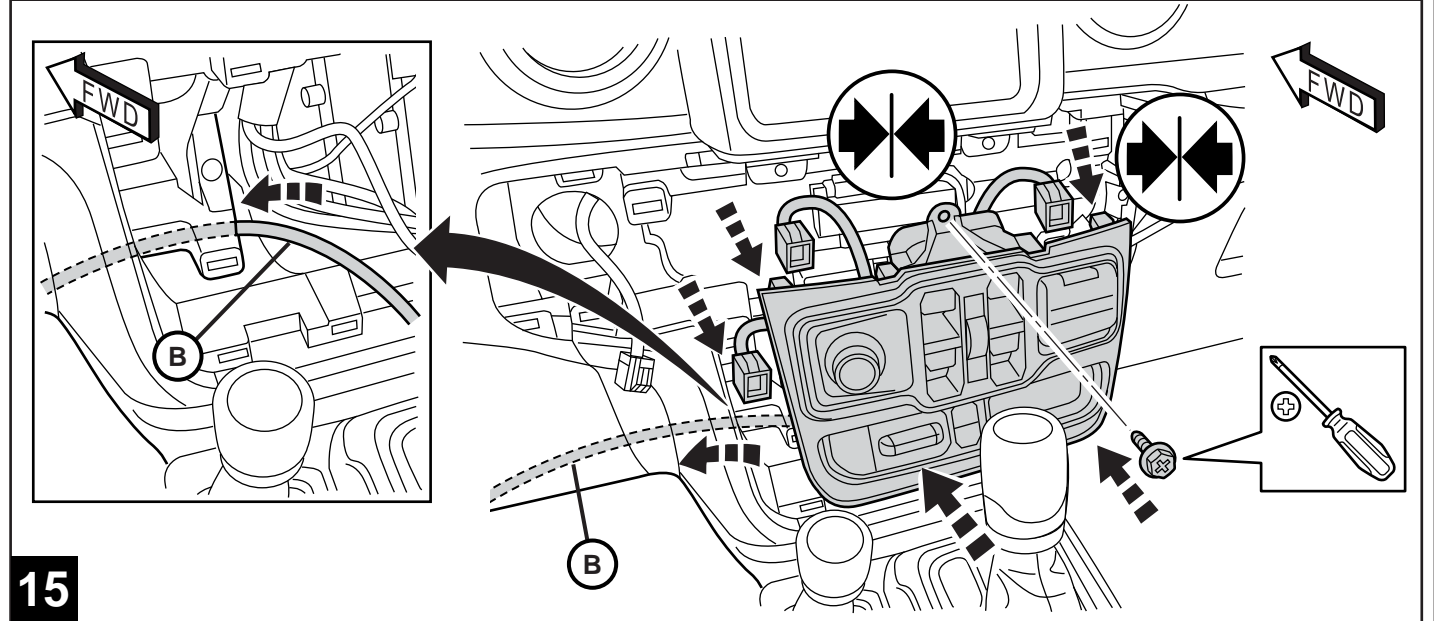
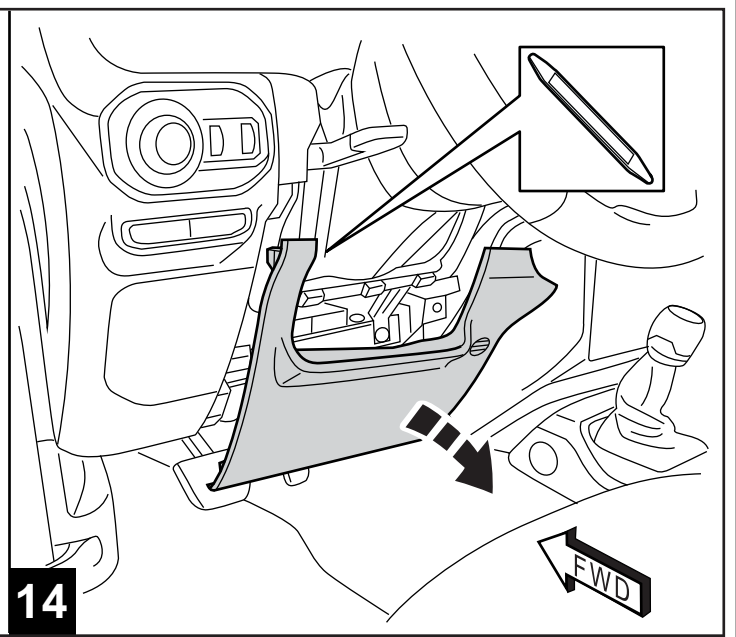
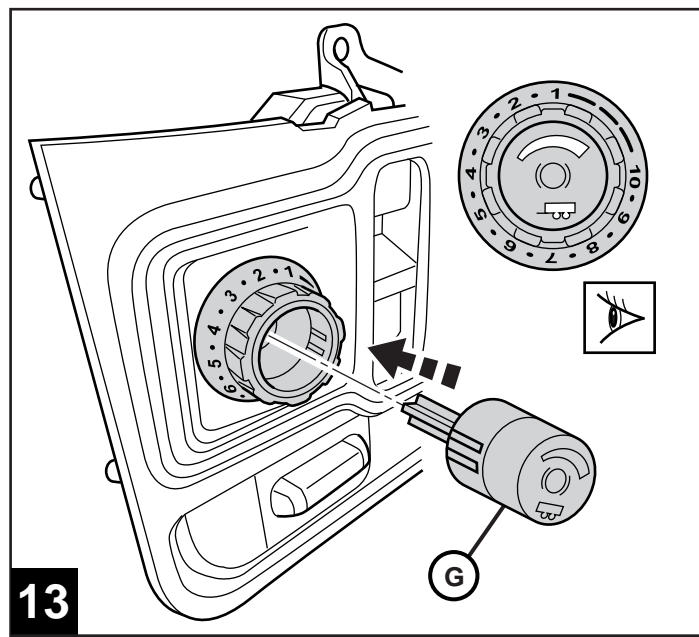


11

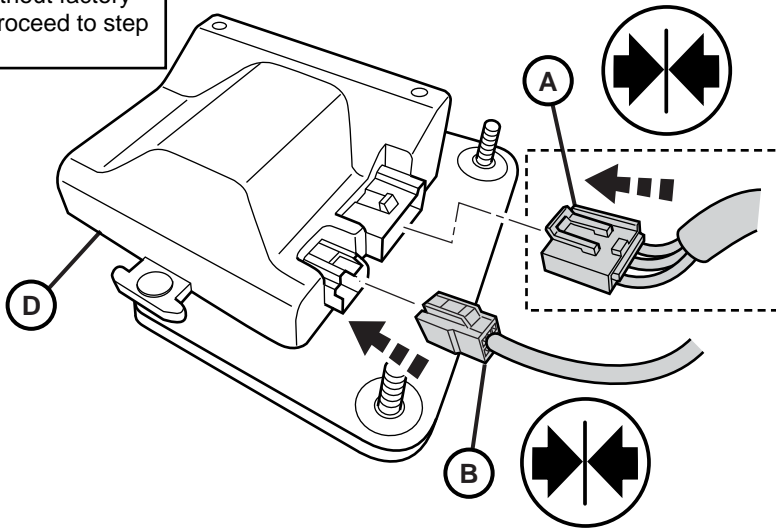


12

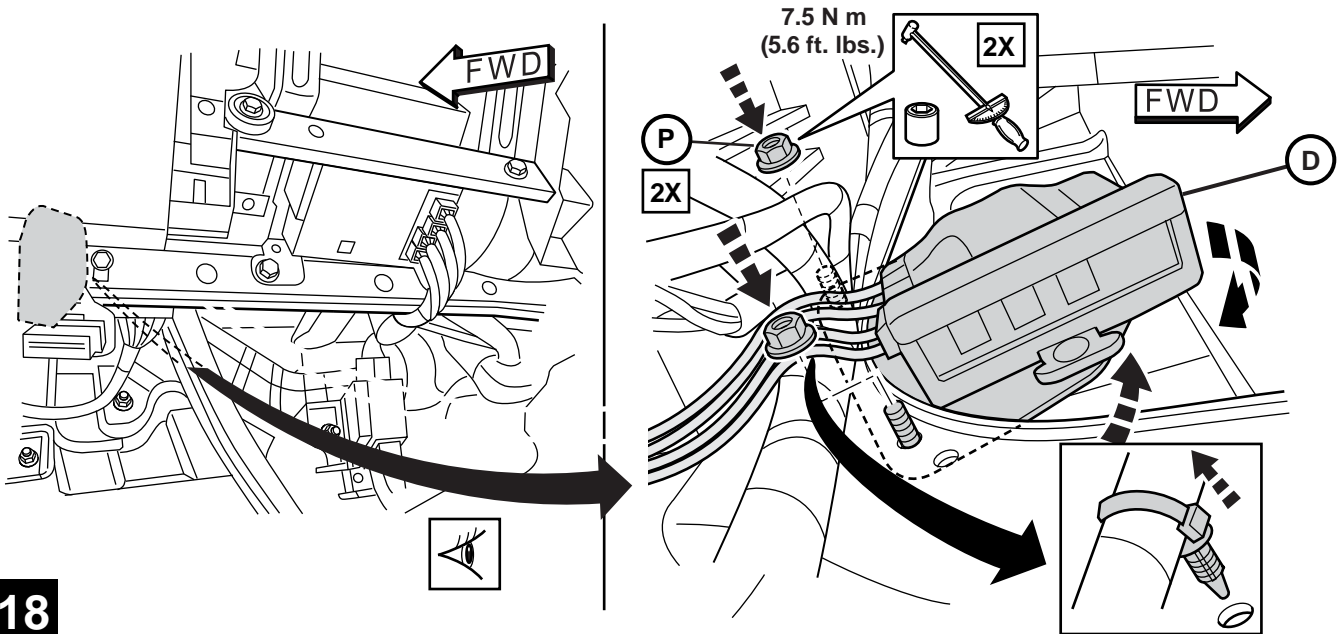




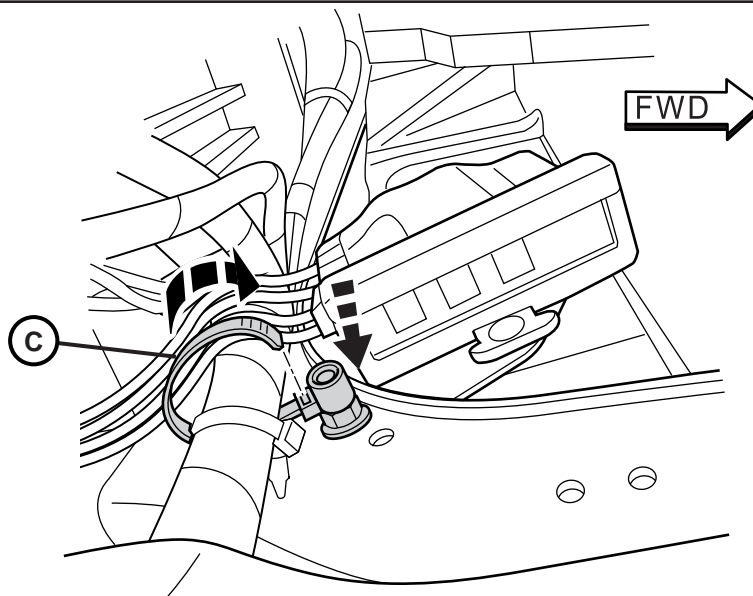
Wrangler without factory trailer tow proceed to step 21.



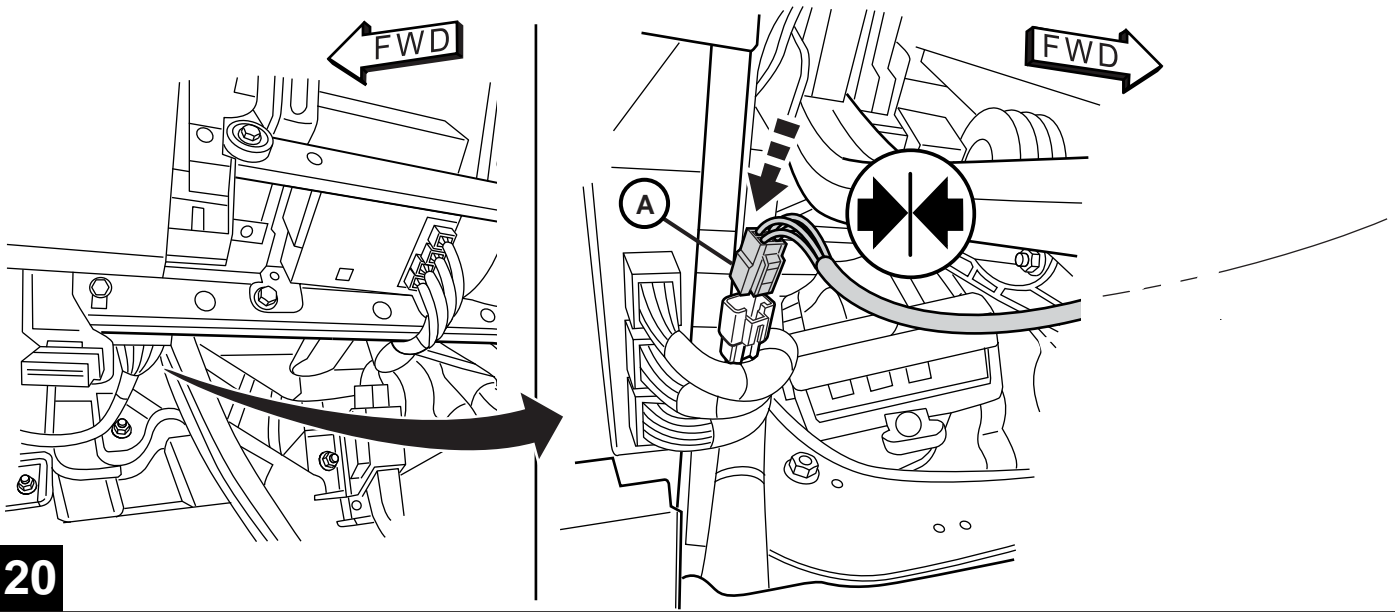
17



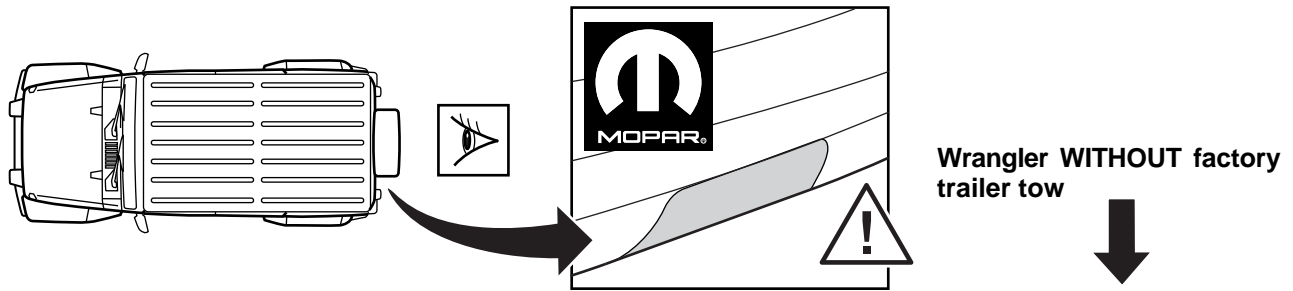
18



19

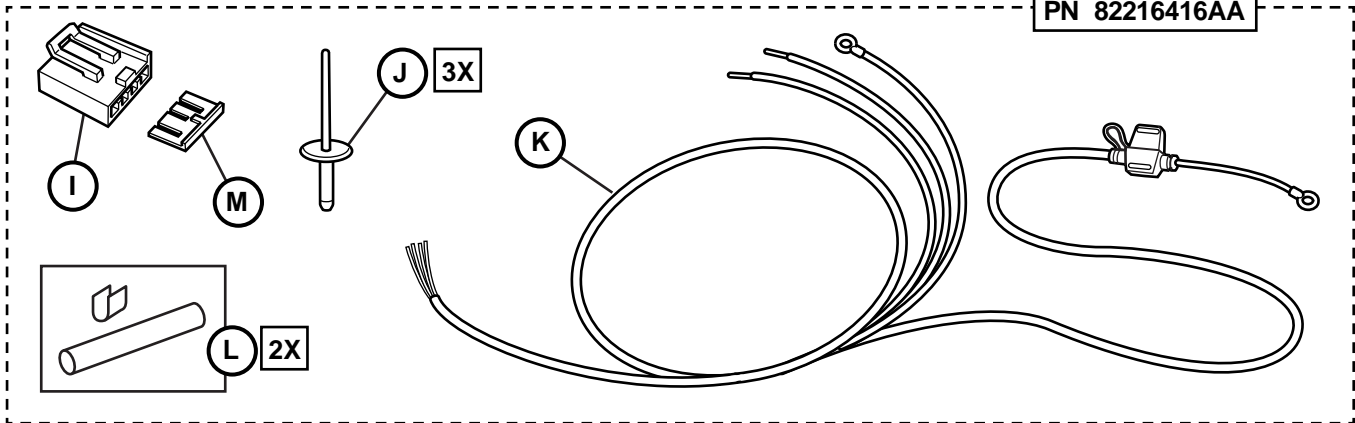


20

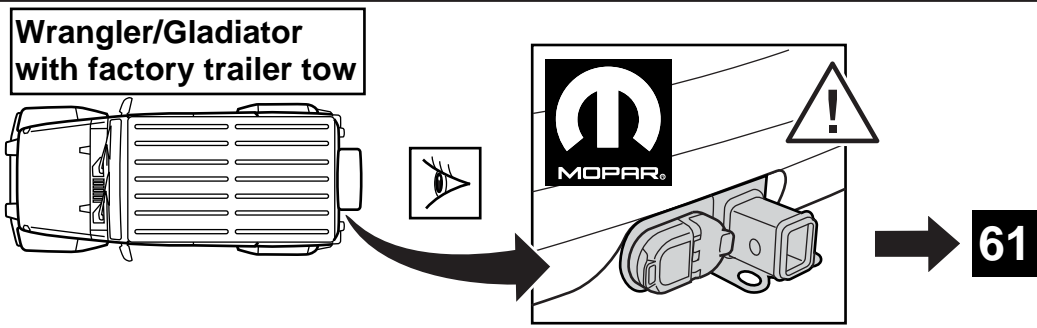


Wrangler WITHOUT factory trailer tow

PN 82216416AA



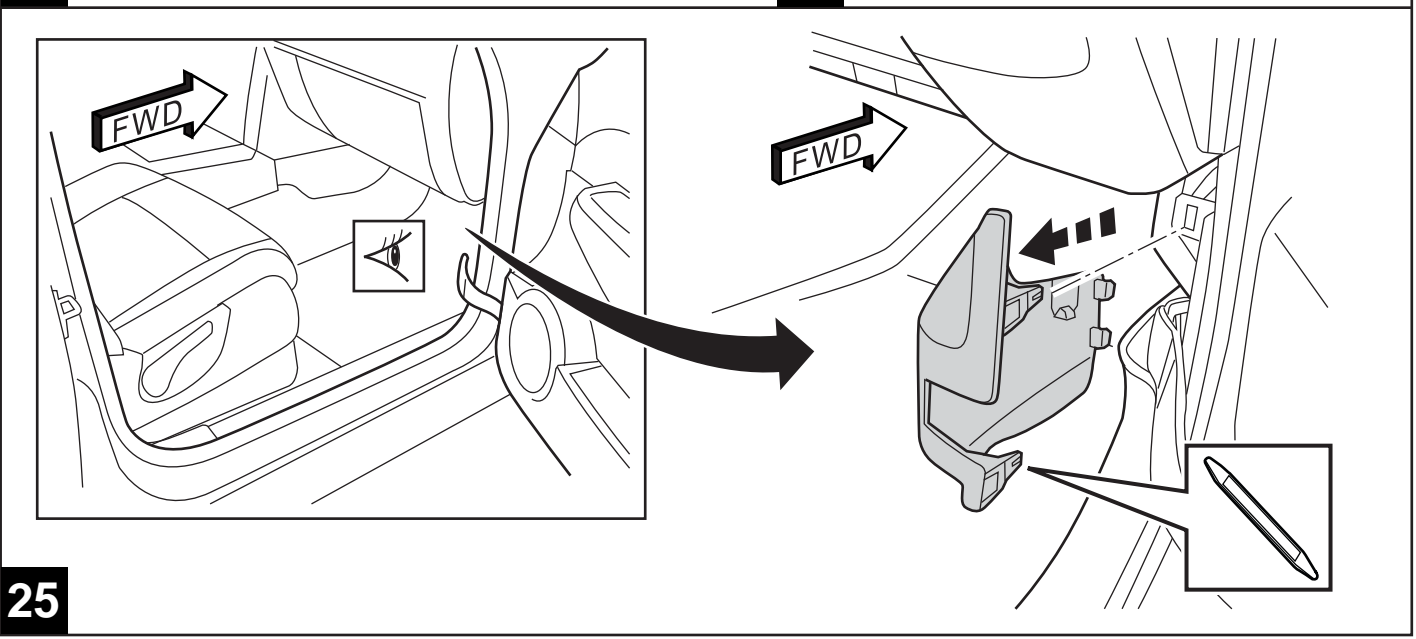
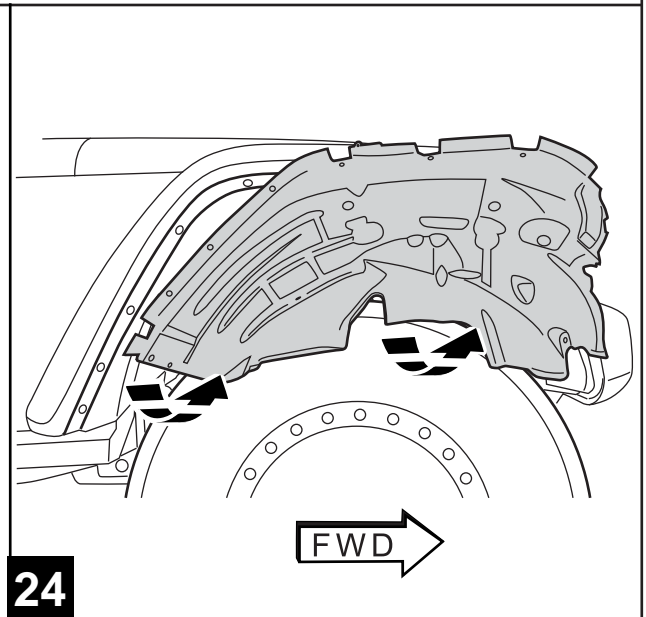
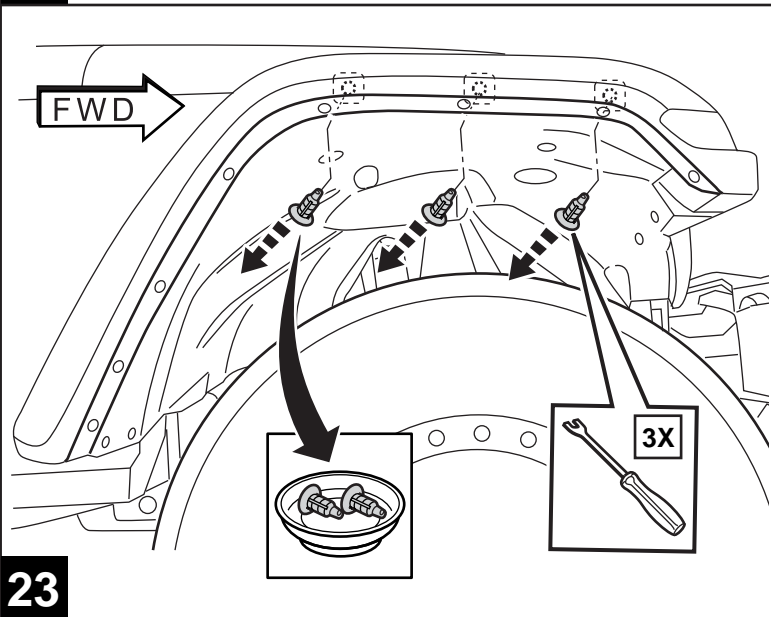
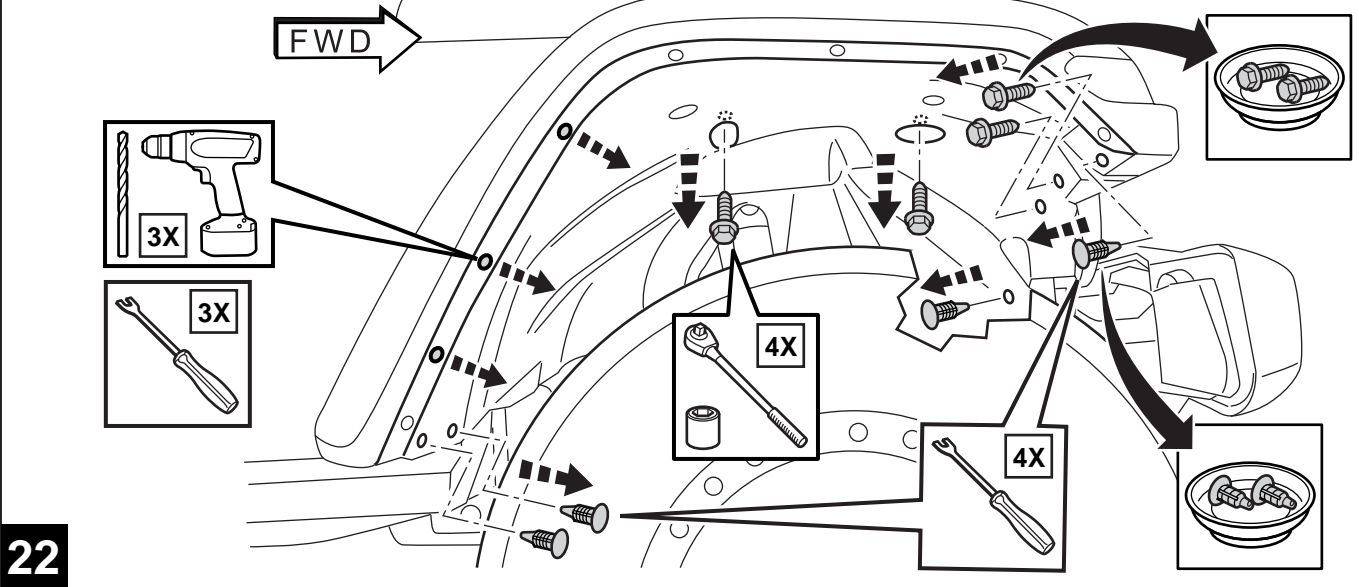
22 → 60

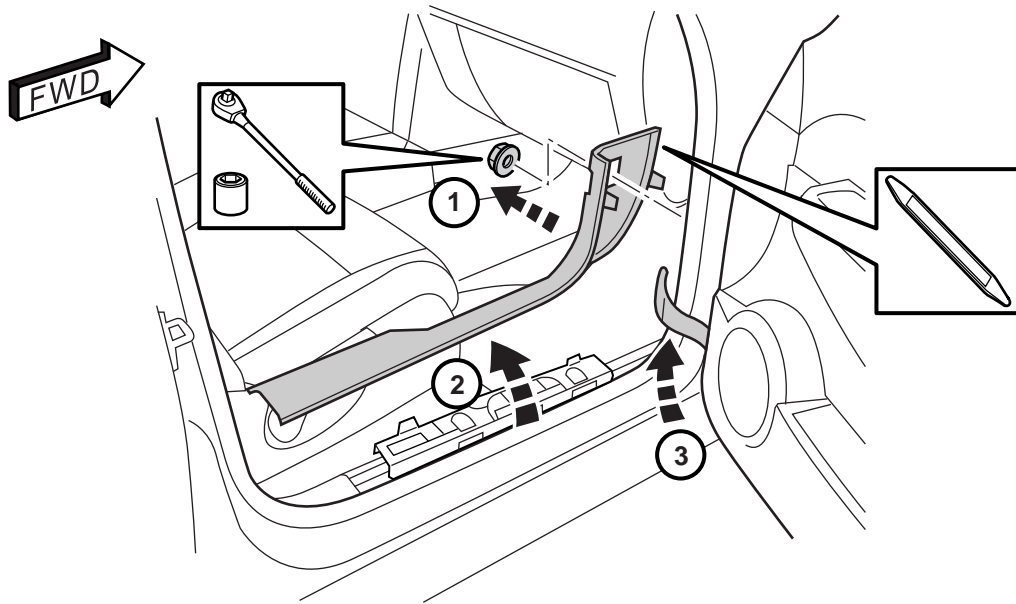


Wrangler/Gladiator with factory trailer tow

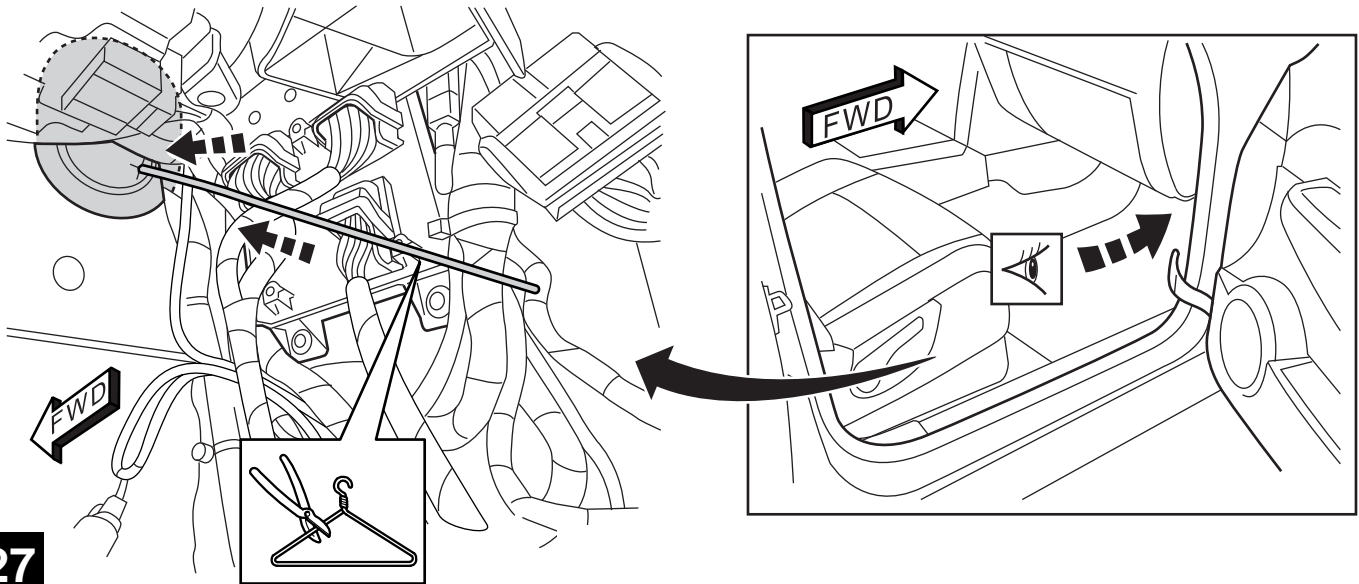
61

21

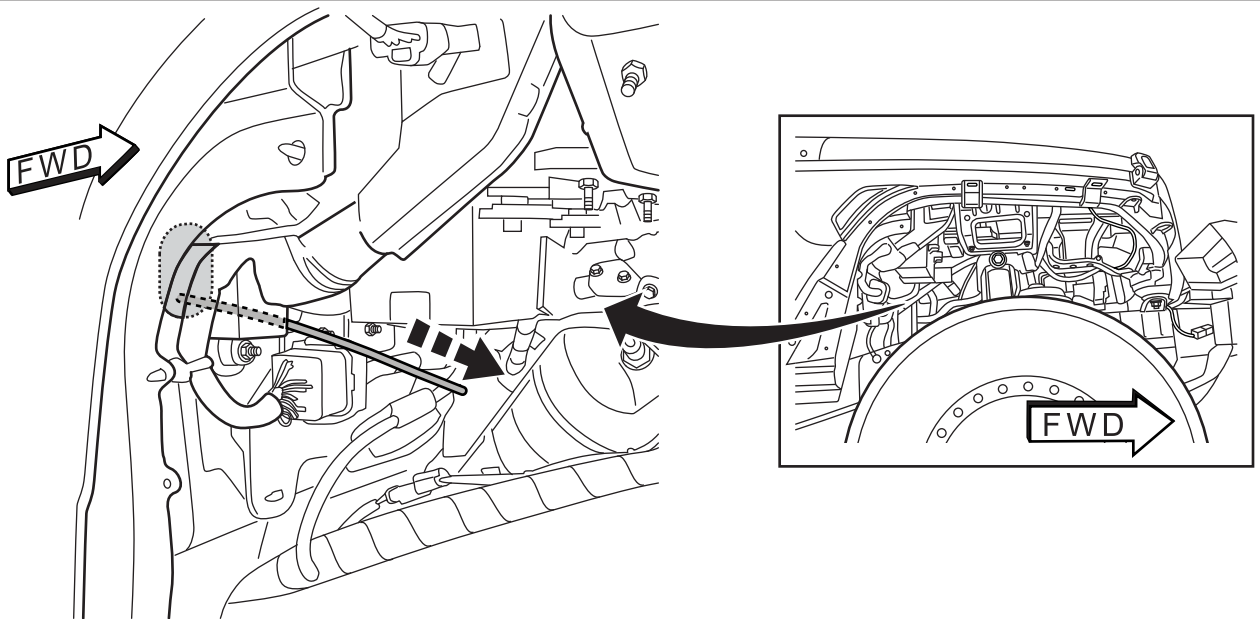




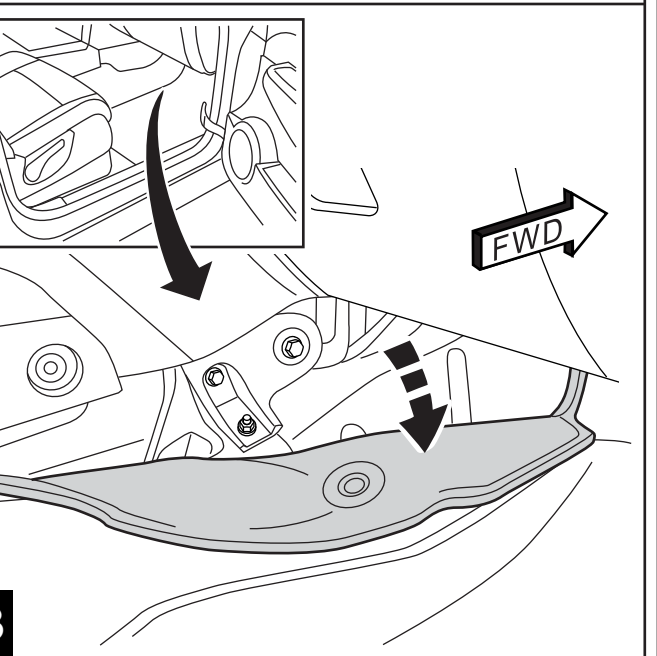
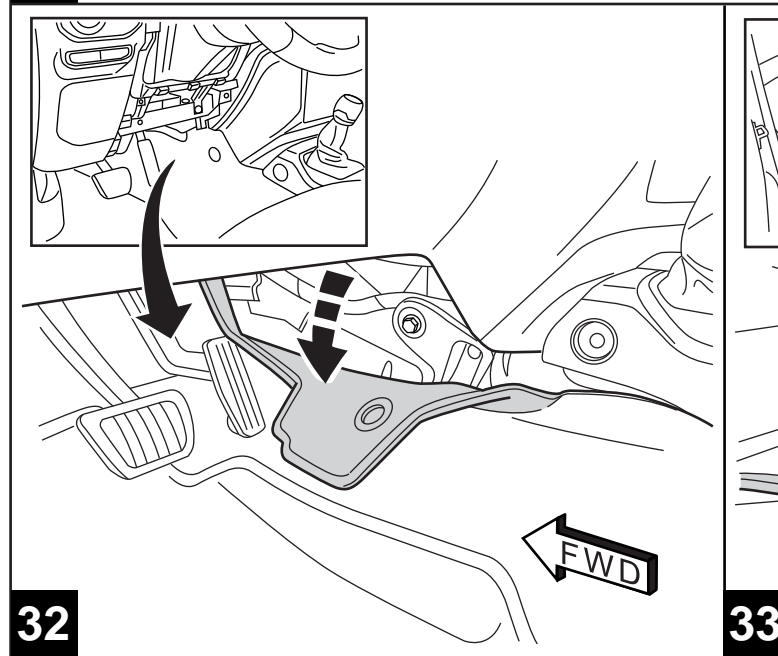
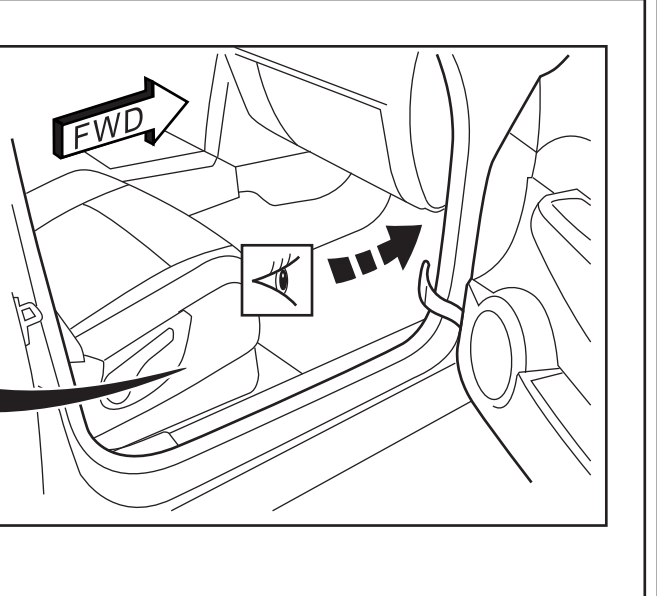
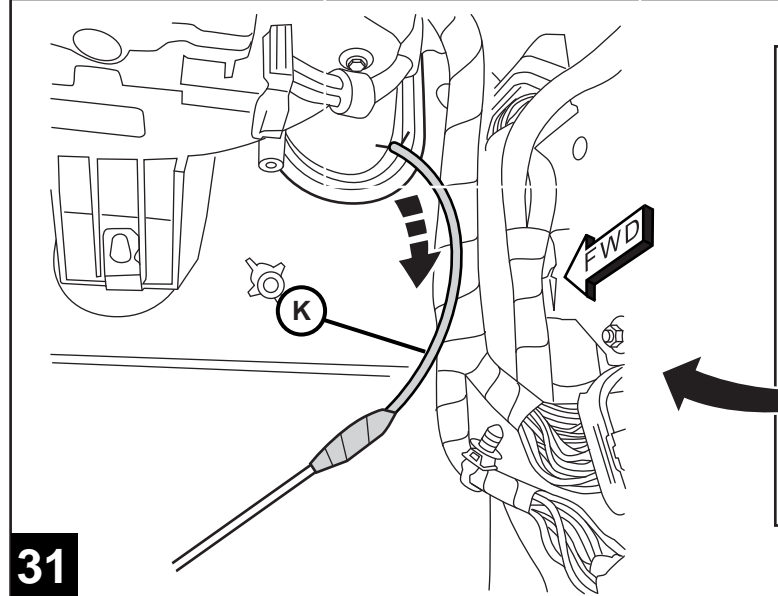
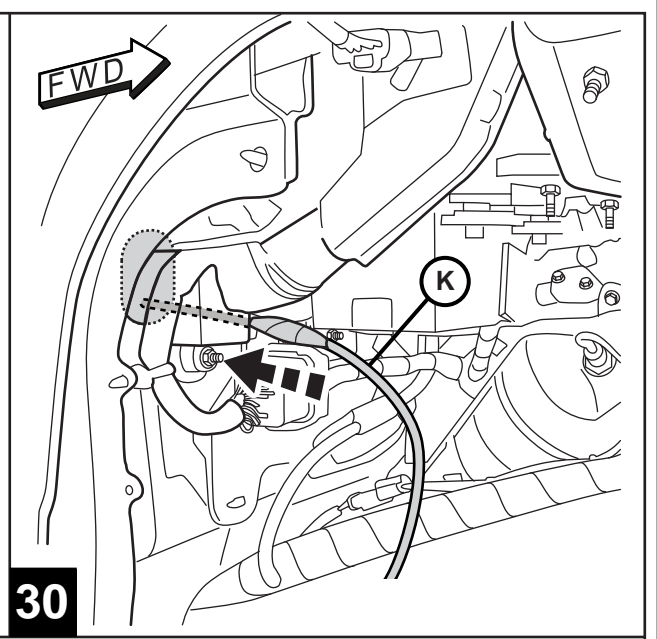
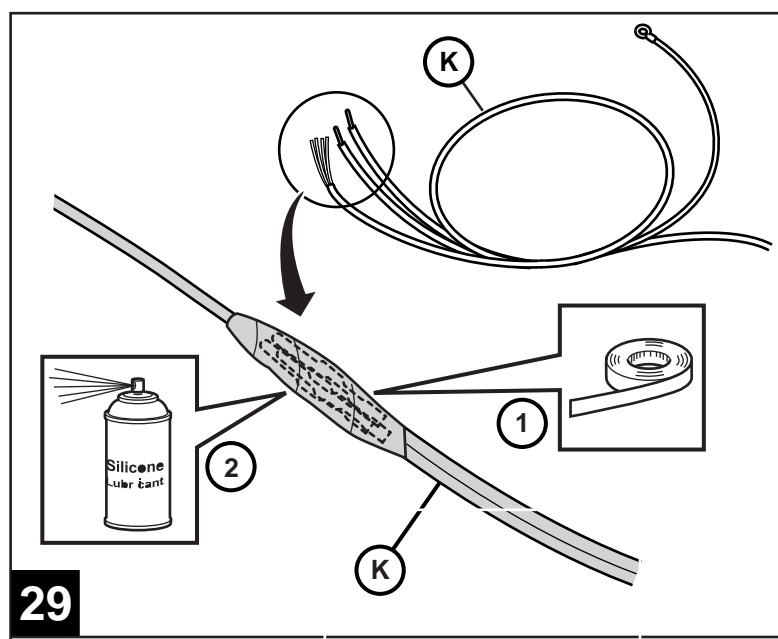
26

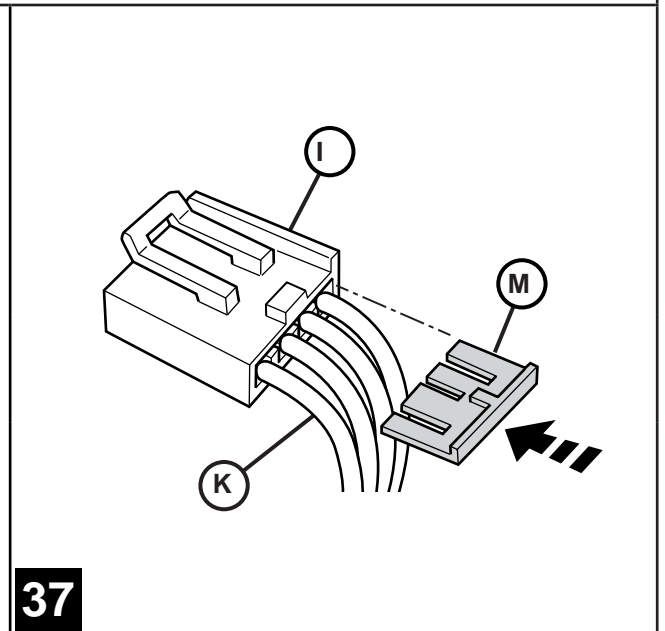
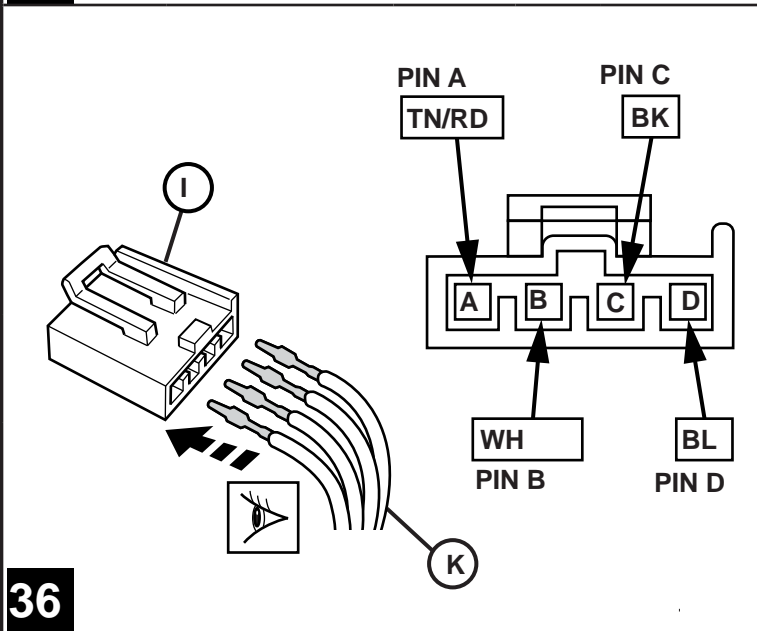
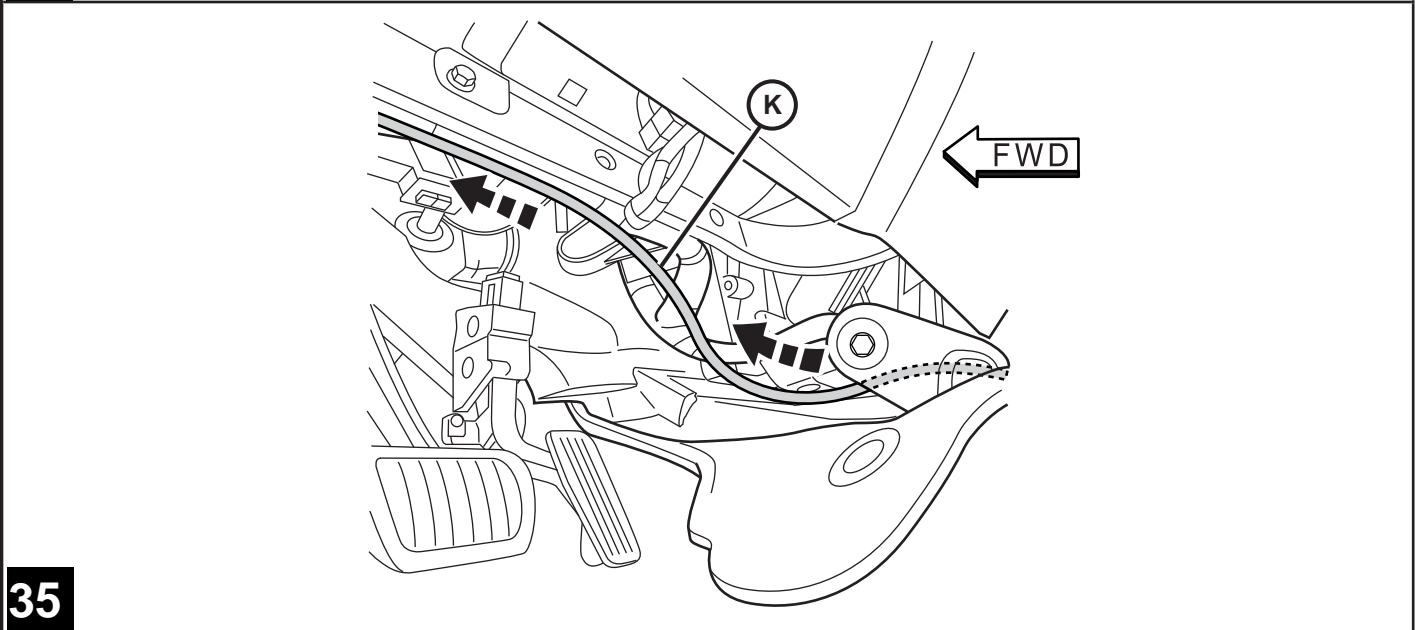
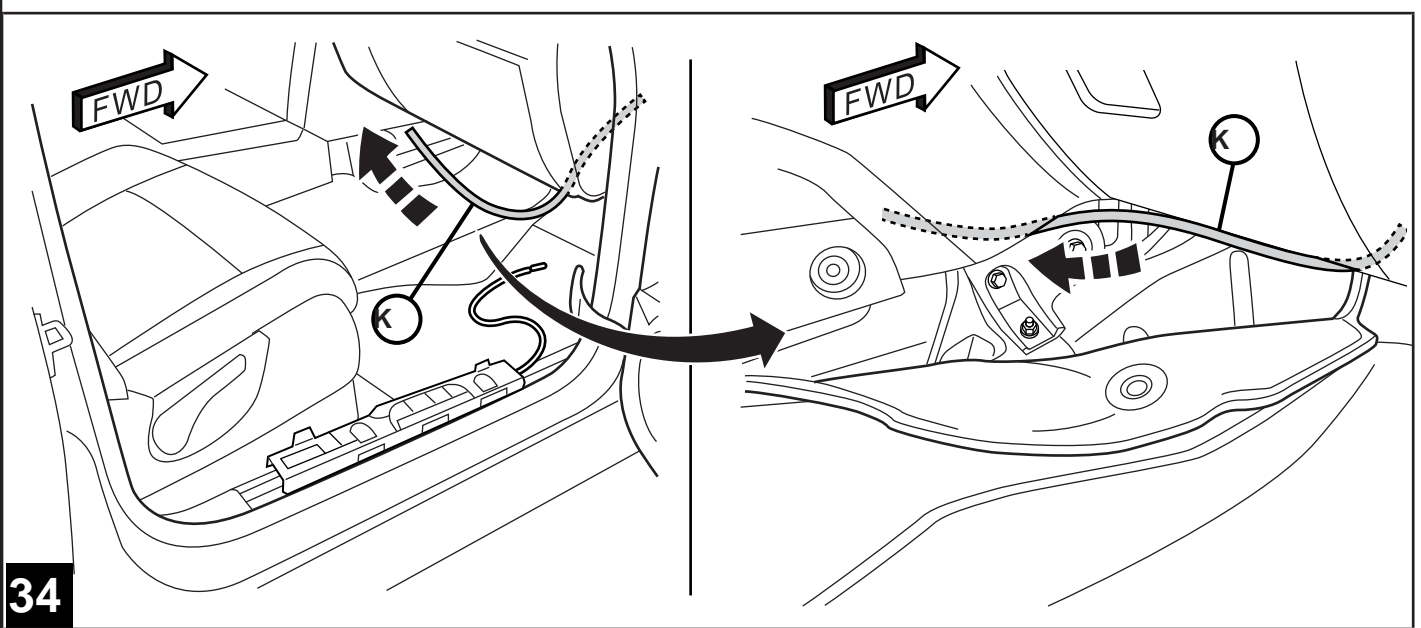


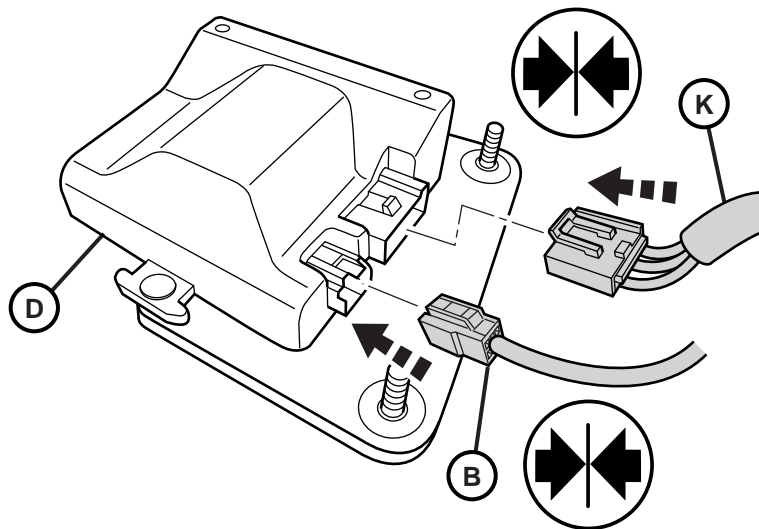
27



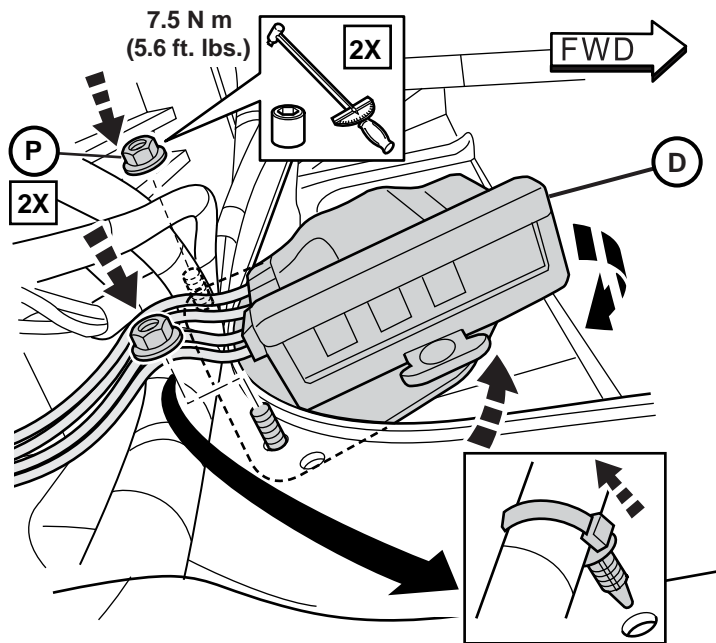
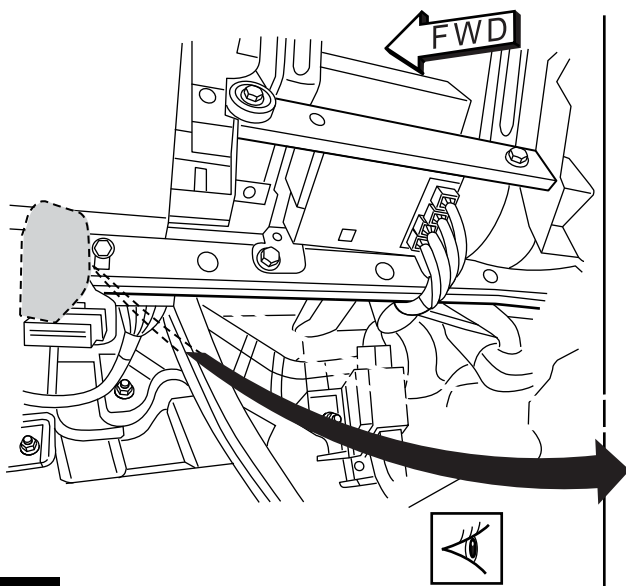
28



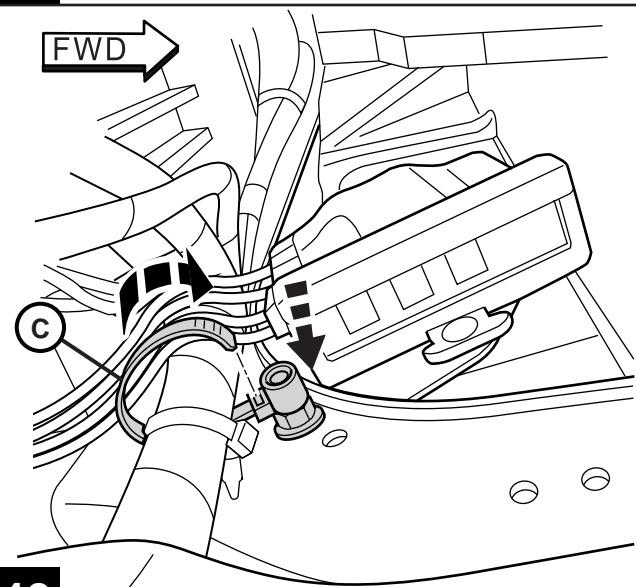




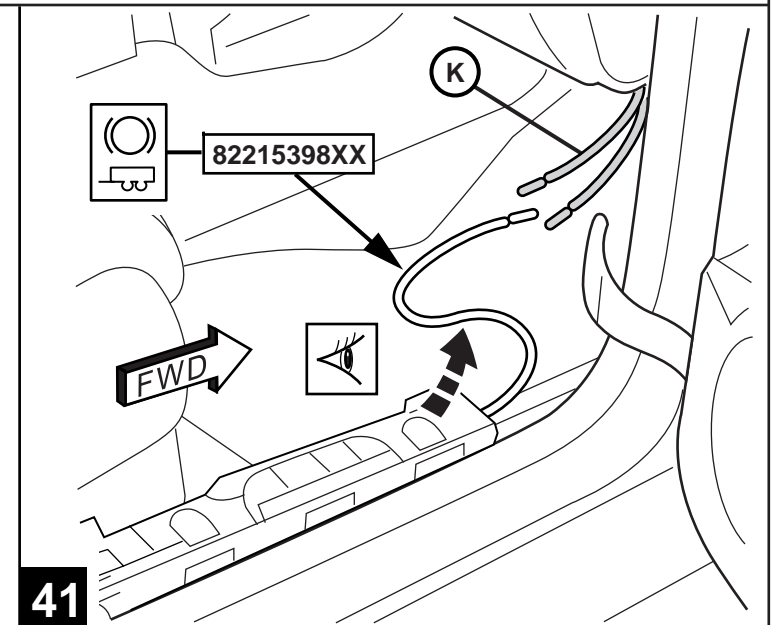
38



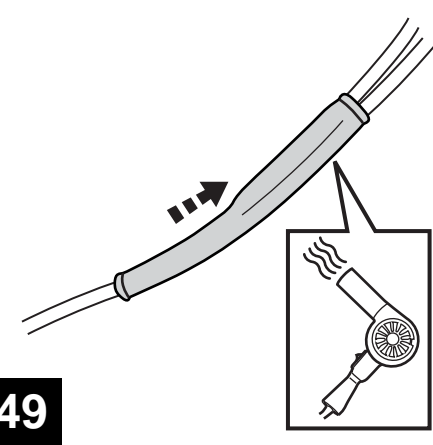
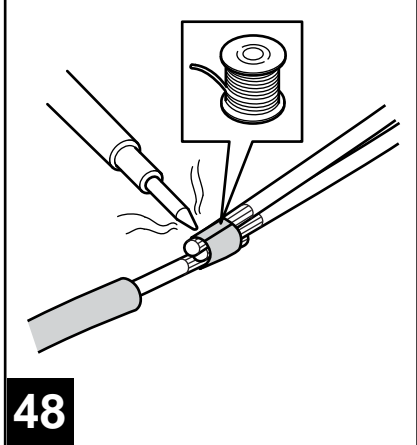
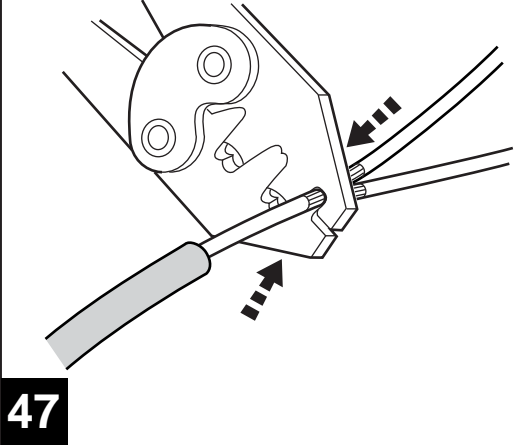
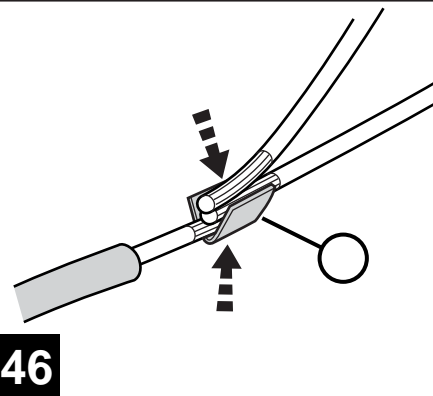
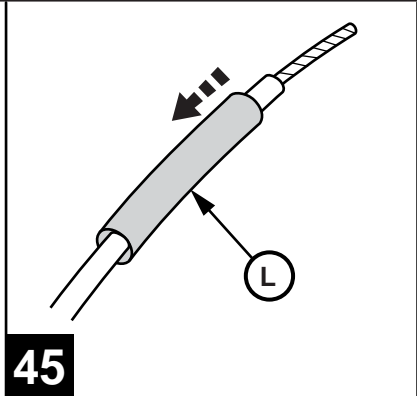
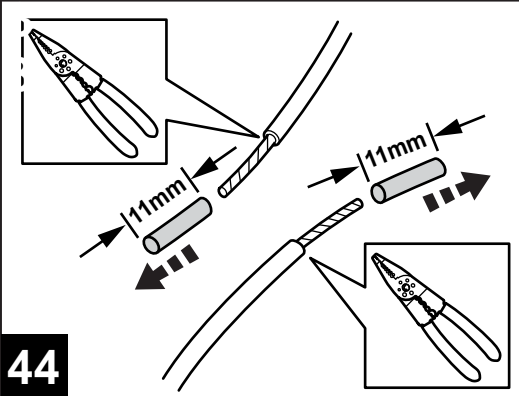
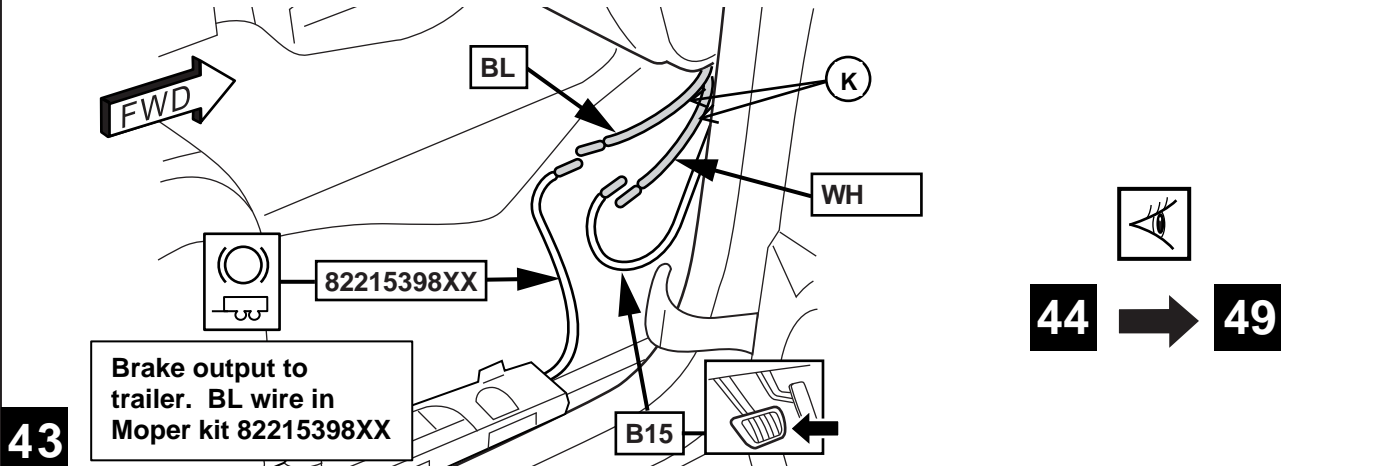
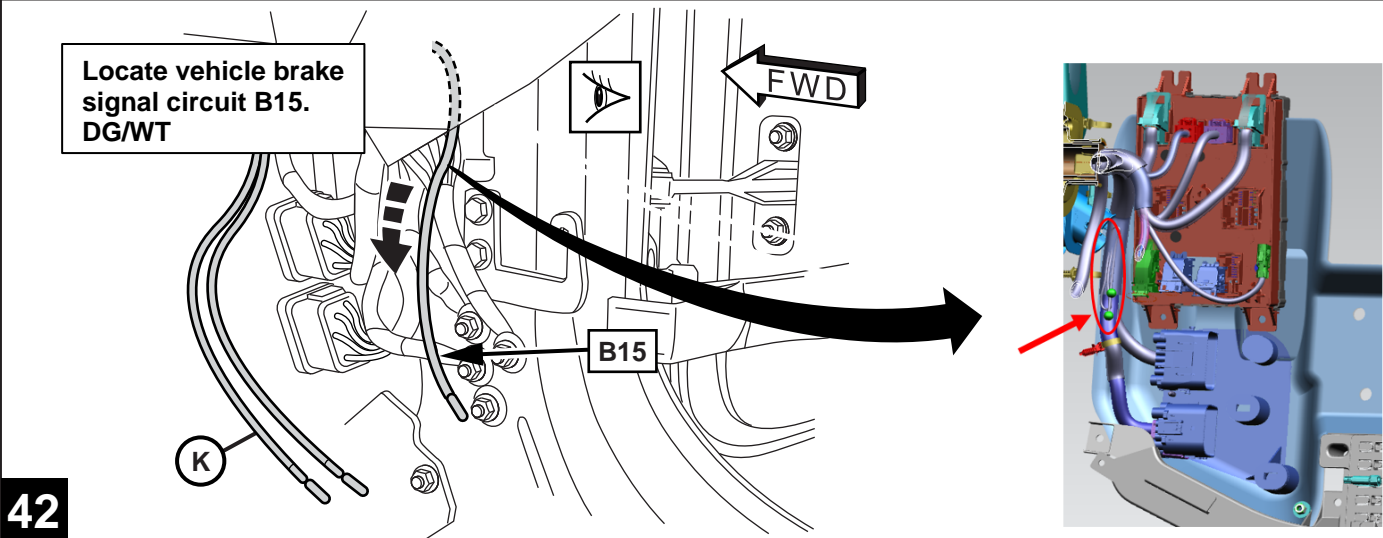
39

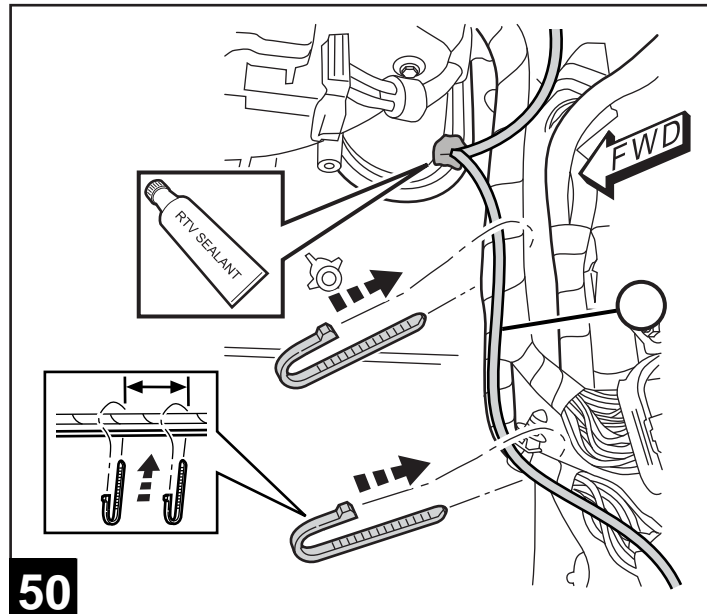


40

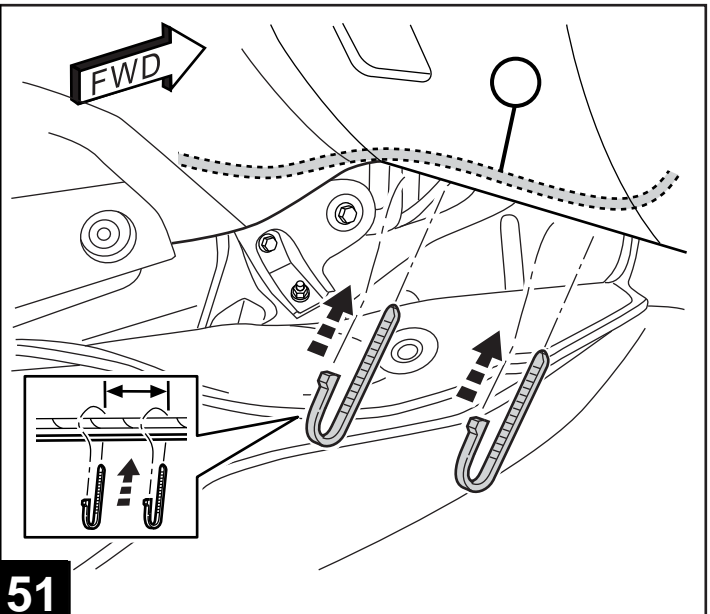


41

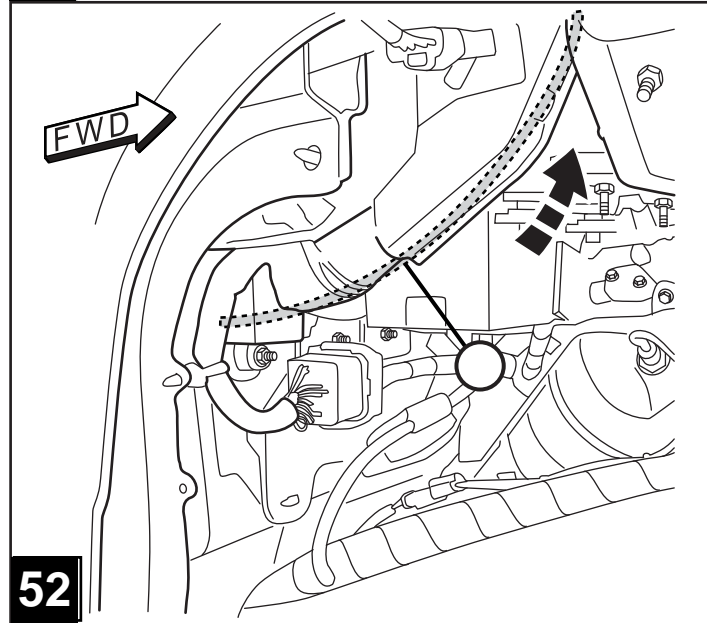




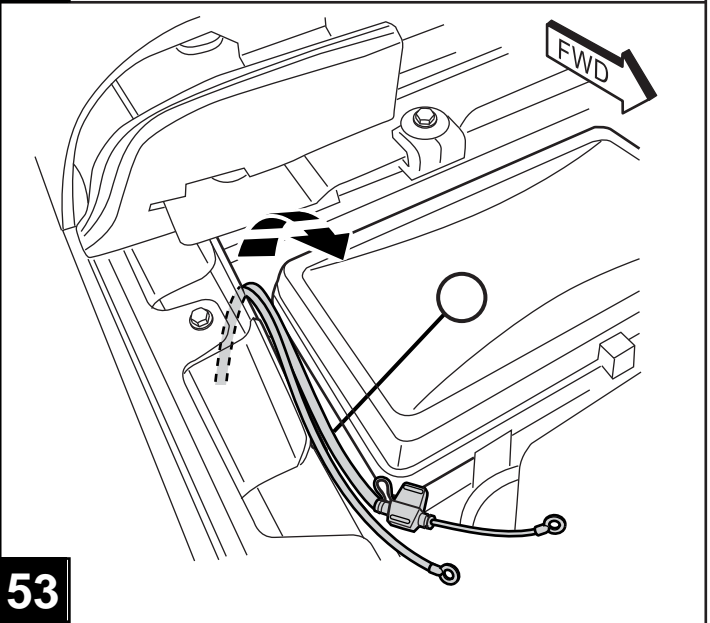
50



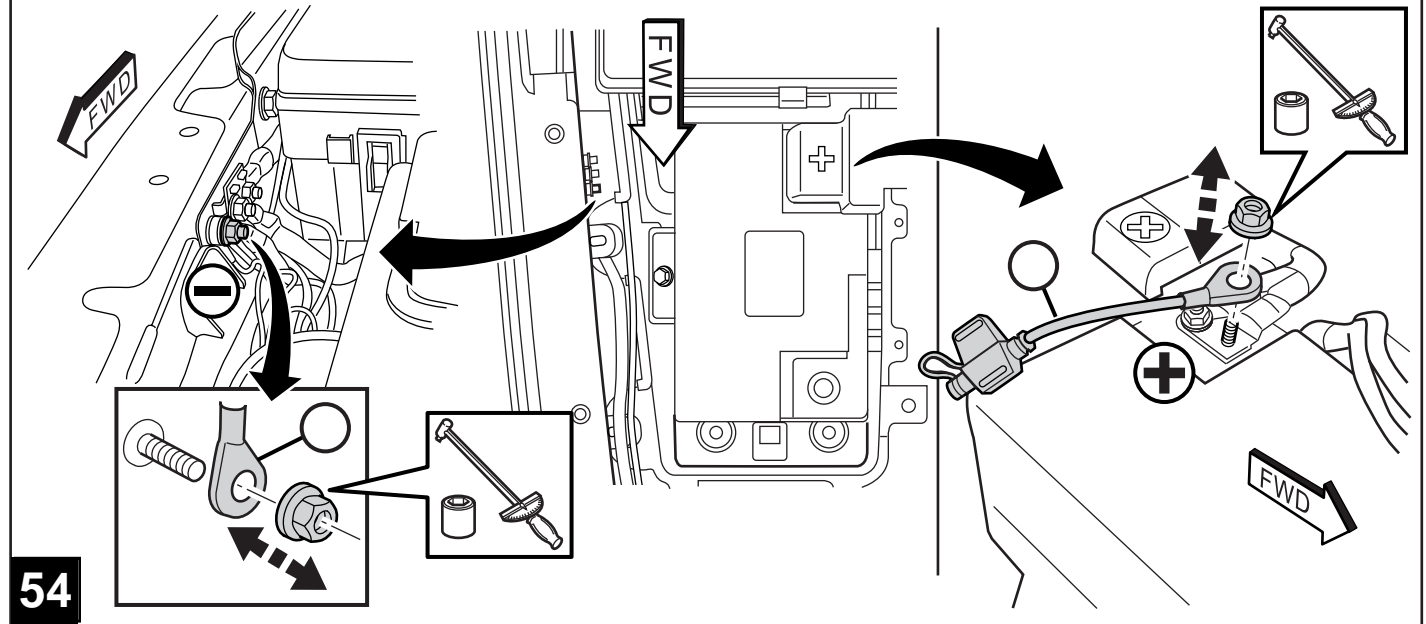
51



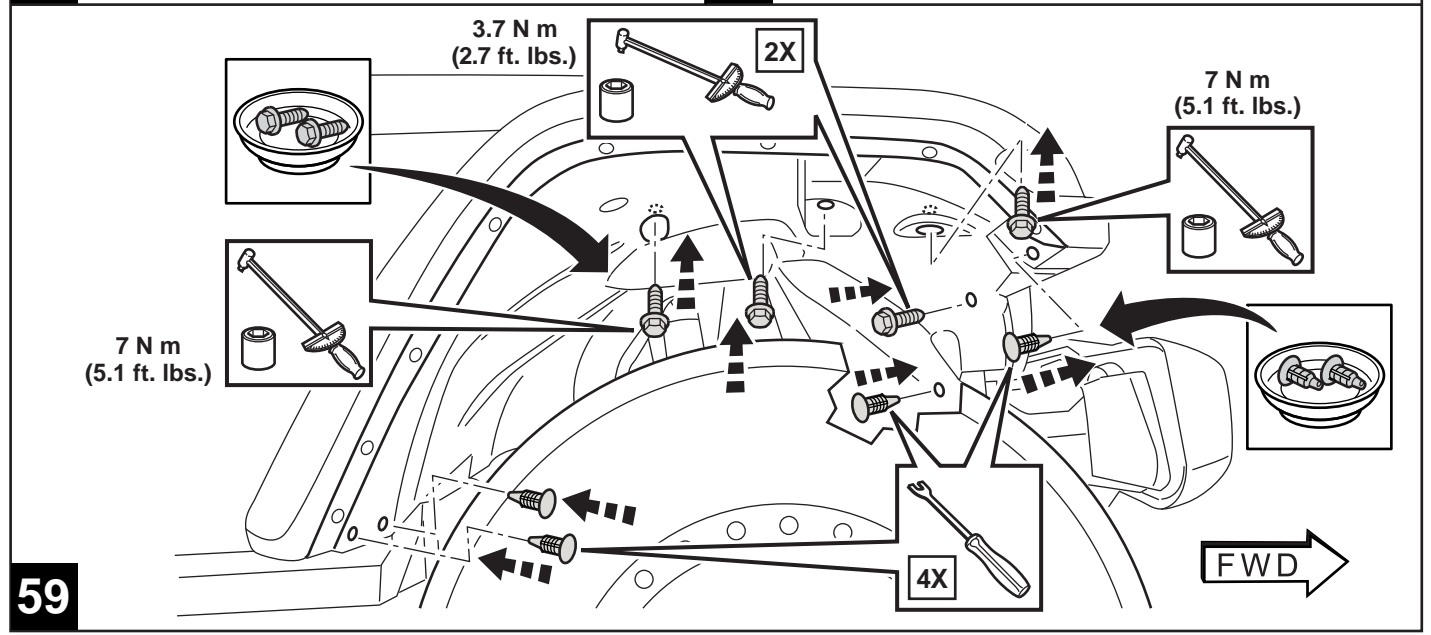
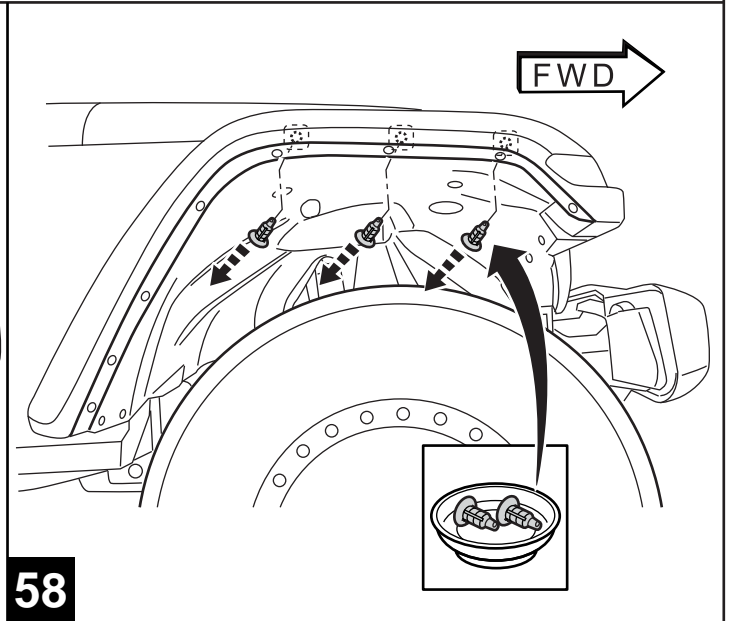
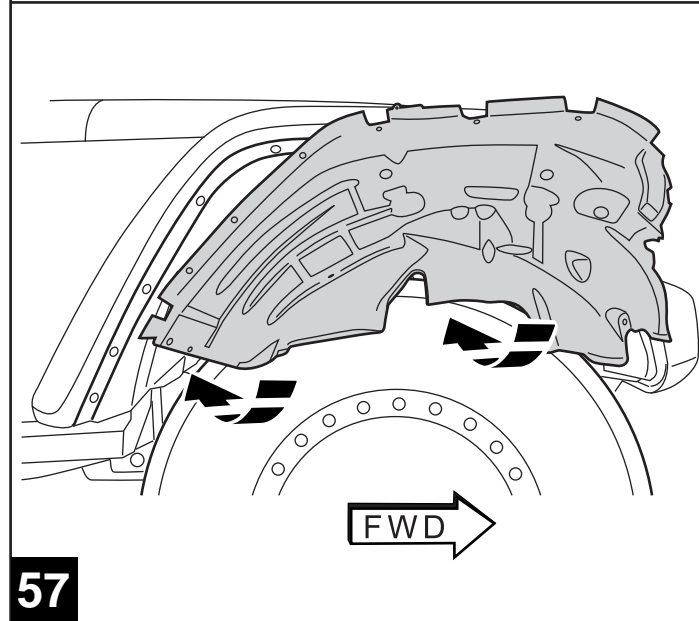
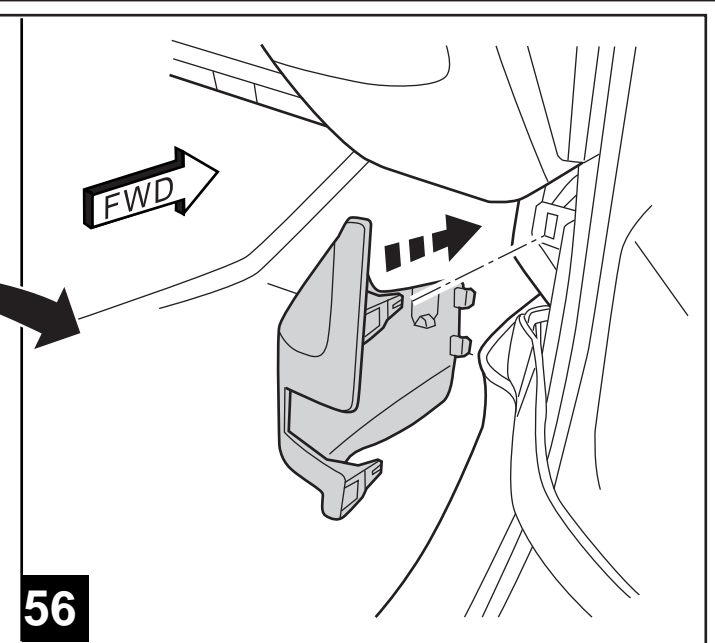
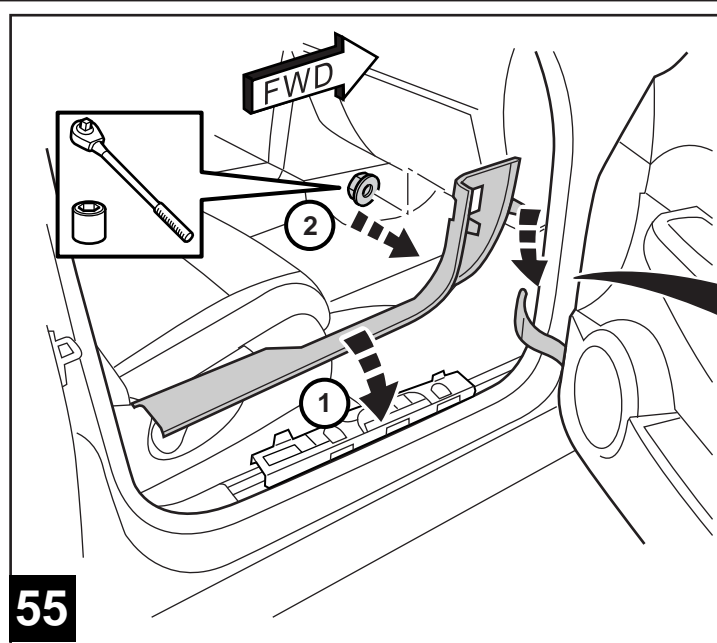
52



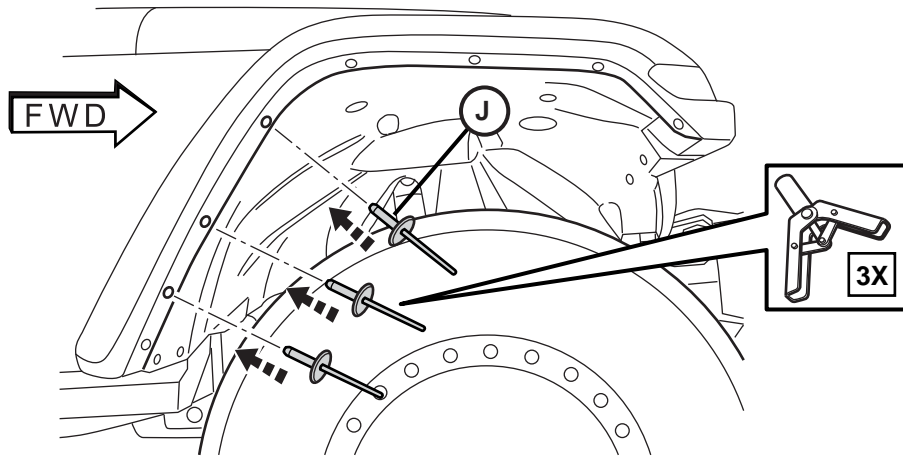
53



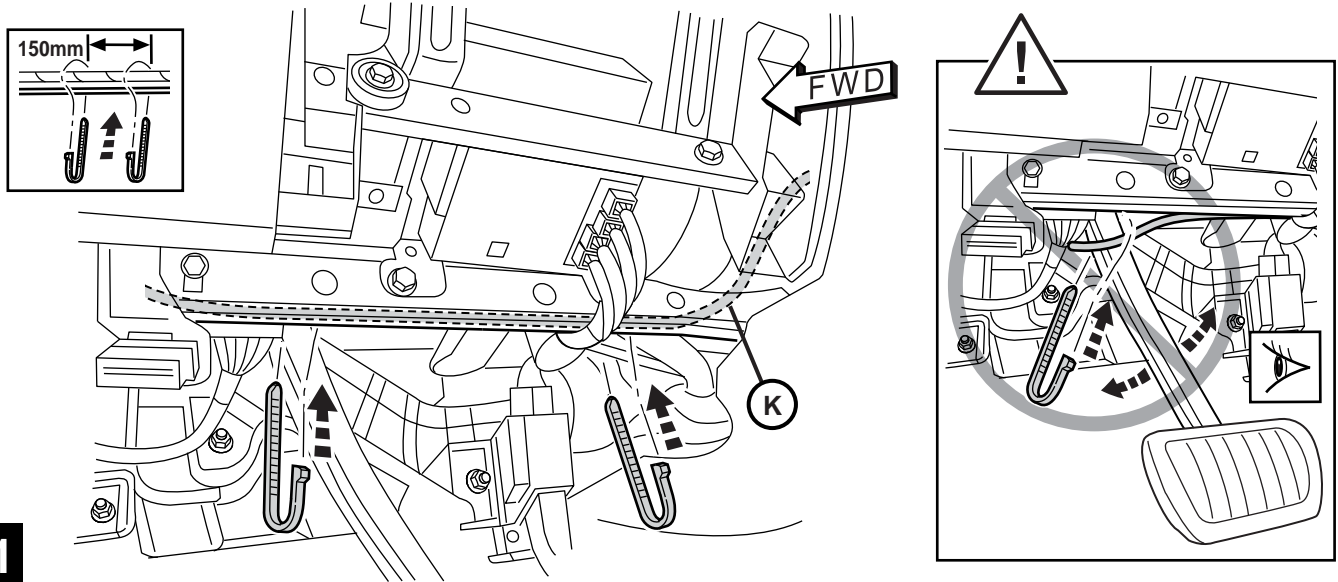
54



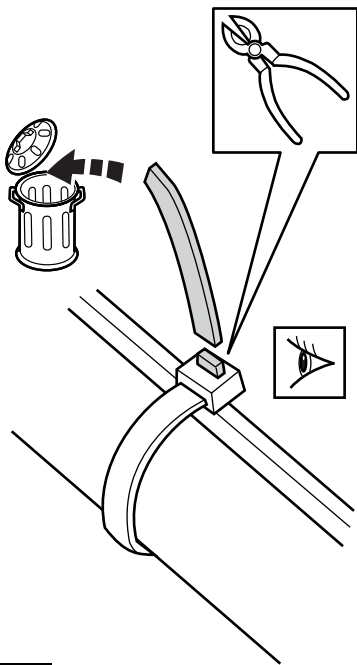
60



61



62



63

